

KOMATSU®

WA200-8

Tier 4 Final Engine

WHEEL LOADER

WA200



Photos may include optional equipment.

NET HORSEPOWER

126 HP @ 2000 rpm
94 kW @ 2000 rpm

OPERATING WEIGHT

25,827– 26,489 lb
11715 – 12015 kg

BUCKET CAPACITY

2.6 – 3.1 yd³
2.0 – 2.4 m³

WALK-AROUND

WA200-8



Photos may include optional equipment.

NET HORSEPOWER

126 HP @ 2000 rpm
94 kW @ 2000 rpm

OPERATING WEIGHT

25,827– 26,489 lb
11715 – 12015 kg

BUCKET CAPACITY

2.6 – 3.1 yd³
2.0 – 2.4 m³



AGILITY AND PRODUCTIVITY

Proven, Fourth Generation Hydrostatic Transmission:

- Quick Acceleration
- Dynamic Braking
- Variable Traction Control System
- Creeping Mode

Versatile Parallel Z-bar (PZ) linkage:

- Parallel lift for handling pallets or pipe
- Large breakout force for earth work



A powerful **Komatsu SAA4D107E-3 engine** provides a net output of 94 kW **126 HP** with up to four percent improved fuel consumption. This engine is EPA Tier 4 Final emissions certified.

New Variable Geometry Turbocharger (VGT) provides optimum air flow under all speed and load conditions. This Tier 4 Final version has improved performance.

Komatsu Diesel Oxidation Catalyst (KDOC) and new Selective Catalytic Reduction (SCR) systems reduce hydrocarbons, carbon monoxide, and NOx without interfering with daily operation.

Increased cooling capacity

- Auto-reversing fan is standard
- Wider core coolers
- Cooling system volume increased by 7.5%

Fluid neutral or better

Combined fuel and DEF consumption is equal to or less than the WA200-7 fuel consumption.

New spacious cab provides the operator with improved comfort and visibility.

Multi-function mono lever with proportional control switch.

New high resolution monitor panel:

- Enhanced and intuitive on-board diagnostics
- Integrated with KOMTRAX® Level 5
- Integrated with Komatsu Tier 4 Final technology

New rearview monitoring system is standard.

New high capacity air suspension seat with heat is standard.

Battery disconnect switch allows a technician to disconnect the power supply before servicing the machine.

Energy saving guidance:

- Six operator guiding messages
- Enhanced ecology gauge

New Komatsu auto idle shutdown helps reduce idle time and operating costs.

The **KOMTRAX®** telematics system is standard on Komatsu equipment with no subscription fees throughout the life of the machine. Using wireless technology, **KOMTRAX®** transmits valuable information such as location, utilization, and maintenance records to a PC or smartphone app. Custom machine reports are provided for identifying machine efficiency and operating trends. **KOMTRAX®** also provides advanced machine troubleshooting capabilities by continuously monitoring machine health.

New operator identification system tracks machine operation for up to 100 operators.

Swing-out cooler design allows access to service and clean the cooler assembly.

PRODUCTIVITY & ECOLOGY FEATURES

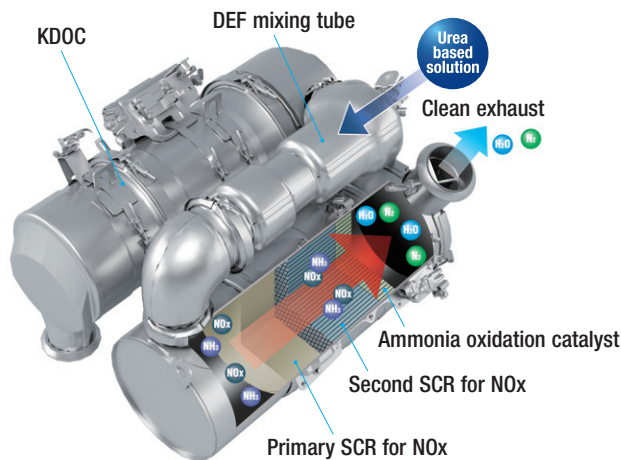
KOMATSU NEW ENGINE TECHNOLOGIES

New Tier 4 Final Engine

The Komatsu SAA4D107E-3 engine is EPA Tier 4 Final emissions certified, reduces fuel consumption, and provides exceptional performance. Based on Komatsu proprietary technologies developed over many years, this new diesel engine reduces nitrogen oxides (NOx) compared to Tier 4 interim levels.

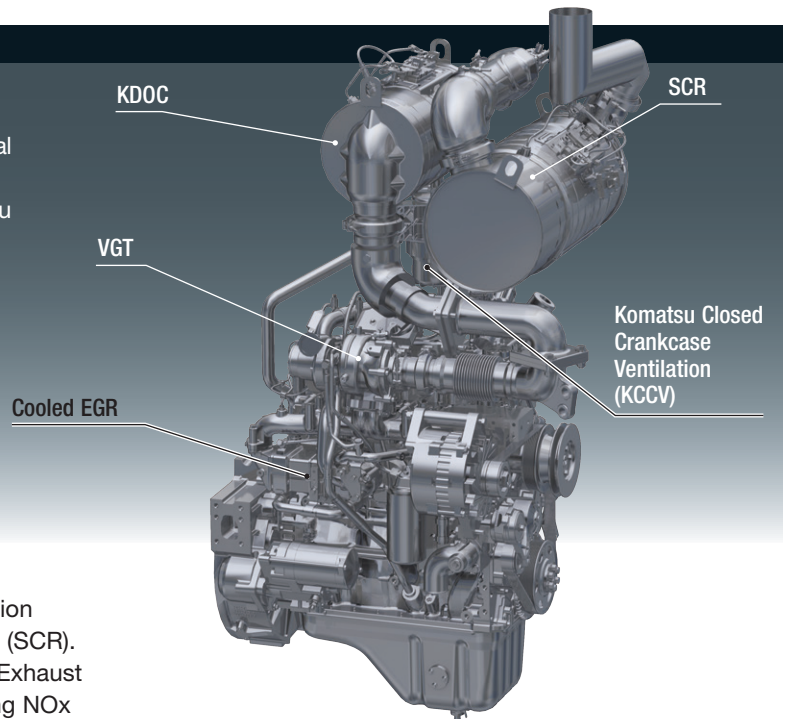
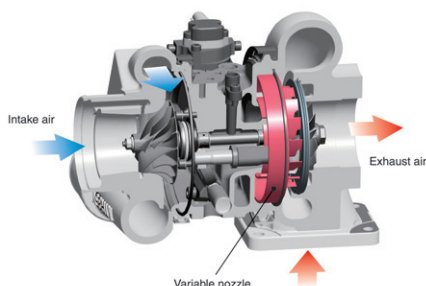
Technologies Applied to New Engine Heavy-Duty After Treatment System

This new system combines Komatsu Diesel Oxidation Catalyst (KDOC) and Selective Catalytic Reduction (SCR). The SCR NOx reduction system injects the Diesel Exhaust Fluid (DEF) at the proper rate, thereby decomposing NOx into non-toxic water (H₂O) and nitrogen gas (N₂).



Variable Geometry Turbocharger (VGT) system

The VGT provides optimal air flow under all engine speed and load conditions. The upgraded version provides better exhaust temperature management.



Heavy-Duty Cooled Exhaust Gas Recirculation (EGR) System

The system recirculates a portion of exhaust gas into the air intake and lowers combustion temperatures, thereby reducing NOx emissions. EGR gas flow is lower for Tier 4 Final with the addition of SCR technology. The system drastically reduces NOx while reducing fuel consumption.

Advanced Electronic Control System

An improved electronic control system more effectively manages engine parameters such as airflow rate, fuel injection parameters, and after treatment function. The control system also provides enhanced diagnostics through the monitor panel. Additionally, managing information via KOMTRAX helps customers track required maintenance.

Heavy-Duty High-Pressure Common Rail (HPCR) fuel injection system

The system is specifically designed to achieve the optimal injection of fuel for near- complete combustion, which helps reduce Particulate Matter (PM) emissions.

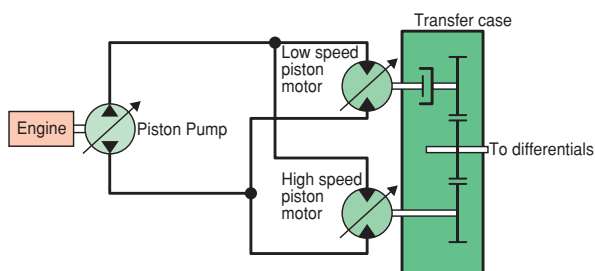
WA2000-8

Hydrostatic Transmission (HST)

The HST provides quick travel response and aggressive drive into the pile. Full auto-shifting eliminates any gear shifting and kick-down operation to allow the operator to concentrate on digging and loading. The HST also acts as a dynamic brake to slow the loader. This dramatically extends the life of the wet disc brakes.

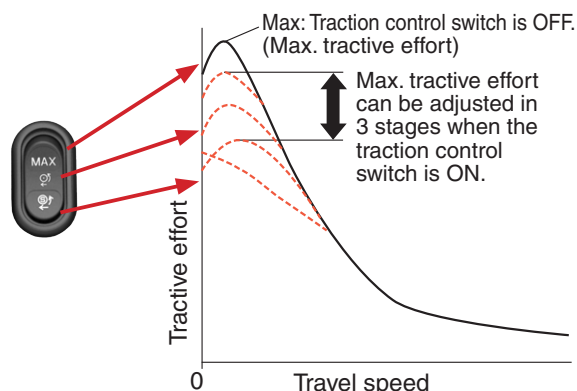
1-Pump, 2 Motor System

The 1-pump, 2 motor system allows for high-efficiency and high tractive effort. Engine power is transmitted hydraulically to a transfer case, then mechanically out to the differentials and the four driving wheels.



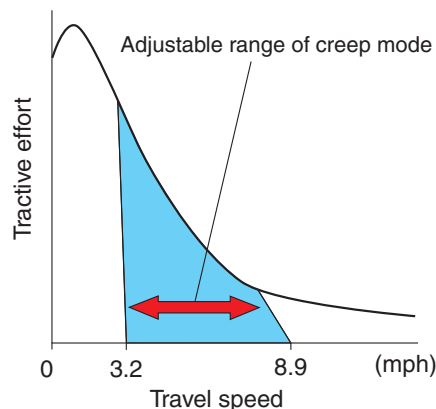
Variable Traction Control System

The variable speed control system is designed to adjust the tractive effort for each working condition. S-mode reduces tire spin in slippery or snowy conditions. Tractive effort can be adjusted in three stages when traction control switch is ON. Max traction provides the full, 100%, tractive effort.



Creep Mode

Creep mode limits the travel speed in 1st speed range, while still allowing for full hydraulic flow.



Komatsu Auto Idle Shutdown

In order to reduce unwanted idle time, Komatsu offers Komatsu auto idle shutdown. This function will shut the engine off and apply the parking brake and hydraulic lock after a preset idle time limit. This time limit can be set by the operator or service technician and may range from three to 60 minutes. It can also be deactivated by the operator.



OPERATOR ENVIRONMENT



WA200-8

New Operator Seat

A new standard, heated, air-suspension seat provides enhanced support on rough roads and dampens machine vibrations, providing a more comfortable ride for the operator. The angle of the armrest is fully adjustable for optimum operator comfort. A secondary F-N-R switch is incorporated into the standard multi-function mono lever.



Tiltable / Telescopic Steering Wheel

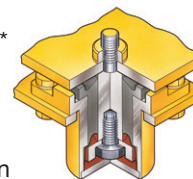
The operator can tilt and telescope the steering wheel to allow maximum comfort and control. The two-spoke steering wheel allows maximum visibility of the monitor panel and the forward work environment.



Low Noise Design

Operator's ear noise level: 68 dB(A)*
Dynamic noise level (outside): 104 dB(A)**

The large ROPS/FOPS cab is mounted with Komatsu's unique viscous mounts. The low-noise engine, hydraulically-driven fan, and hydraulic pumps are mounted with rubber cushions, and the cab sealing is improved to provide a quiet, low-vibration, comfortable operating environment.



* ISO 6396: 2008

** ISO 6395: 2008

Increased Cab Storage Area

The WA200-8 cab features a heated/cooled storage compartment on the right side of the cab to allow the operator to store items such as a beverage or lunch.





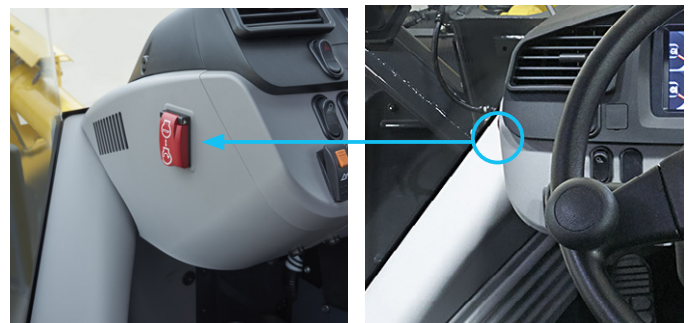
Standard Rearview Monitoring System

The dedicated, full-color monitor on the right side of the cab provides the operator with a rearview from the machine. This monitor can be always on or only on when the loader shifts into reverse. Guidelines provide the operator with visual cues for the width of the loader.



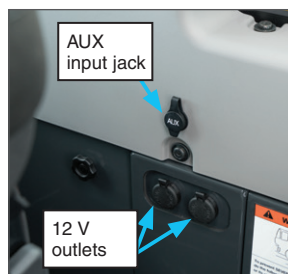
Secondary Engine Shutdown Switch

The engine stop switch enables machine shutdown when accessing the key switch is not possible.



Auxiliary Input (MP3 Jack) 12 V Outlets

An Aux input for audio devices is standard, as well as two 12 volt outlets. These are all located on the rear wall of the cab.



WORKING ENVIRONMENT



Easy Entry and Exit

The WA200-8 has an inclined ladder with wide steps and well-placed hand holds to ease entry and exit from the cab. The door latch can be reached from ground level to ease machine access.

Electronically Controlled Suspension System

The standard Electronically Controlled Suspension System or ride control system uses an accumulator, which absorbs some of the shock in the boom arm, giving the operator a much smoother ride. This reduces operator fatigue and reduces material spillage during load and carry operations. Ride control is speed sensitive and the activation speed can be adjusted in the monitor panel.

Multi-Function Mono Lever

The multi-function mono lever with EPC control for 3rd spool is standard. It includes a forward-neutral-reverse switch for quick and easy travel. Third spool attachments can be set to continual or proportional control via the monitor panel. This allows the operator to control the boom, bucket and attachment, all with a single lever.



Attachment Selector Switch

Coupler equipped machines, which use buckets and forks, require a different flat level setting when switching between attachments. The attachment selector switch found in coupler equipped machines tells the loader which flat level to use.



Attachment selector switch

INFORMATION & COMMUNICATION TECHNOLOGY

New High Resolution LCD Monitor Panel

The new seven inch color LCD monitor panel displays operational information, ecology guidance and maintenance records. Information such as traction mode, coolant temp, oil and fuel levels are easy to read and help keep the operator informed of the machine's settings and conditions.

Machine monitor

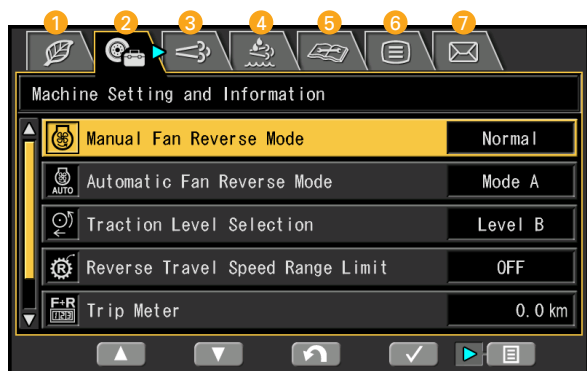
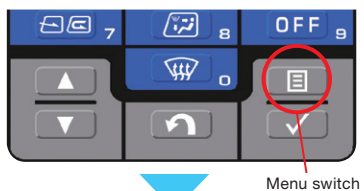
- | | |
|---------------------------|------------------------------------|
| 1 LCD unit | 8 Engine coolant temperature gauge |
| 2 LED unit | 9 Fuel gauge |
| 3 Engine tachometer | 10 HST oil temperature gauge |
| 4 Speedometer | 11 Variable speed display |
| 5 Ecology gauge | 12 Message pilot lamp |
| 6 Air conditioner display | 13 Pilot lamps |
| 7 Traction level | 14 DEF level gauge |

Switch panel

- 1 Air conditioner switches / Numeral key pad 2 Function switches

Visual user menu

Pressing the menu button on the switch panel accesses the user-menu screen. The menus are grouped by function, with easy-to-understand, intuitive icons for easier machine operation.



- 1 Energy saving guidance
- 2 Machine settings
- 3 Aftertreatment devices regeneration
- 4 SCR information
- 5 Maintenance
- 6 Monitor setting
- 7 Mail check



Operator Identification function

An operator identification (ID) code can be set for each operator, and used to manage operation information of individual machines through KOMTRAX. Data sent from KOMTRAX can be used to analyze operation status by operator job, as well as by machine.



Monitor Panel with troubleshooting function minimizes downtime

Various meters, gauges and warning functions are centrally arranged on the monitor panel. The monitor simplifies start-up inspection and warns the operator with a lamp and buzzer if any abnormalities occur. Warnings are indicated in four levels, which the operator must acknowledge and clear.

Replacement times for oil and filters are also indicated.



MAINTENANCE FEATURES



WA200-8

Side-opening Gull-wing Engine Doors

The large, gull-wing-type engine doors require minimal effort to open and close, thanks to gas assisted struts. The doors make access and daily maintenance easy. Large steps on the side of the frame also enhance accessibility.



Automatic Reversing Fan

The engine cooling fan is hydraulically driven. It can be set to reverse automatically during operation. Fan reverse mode and timing can be controlled through the monitor.



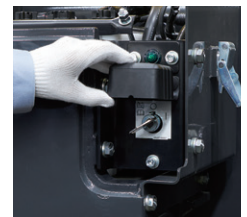
Swing-Out Type Cooling Fan and Wide Core Radiator

The cooling fan swings out for cleaning. The coolers feature wider fin spacing cooling to reduce clogging.



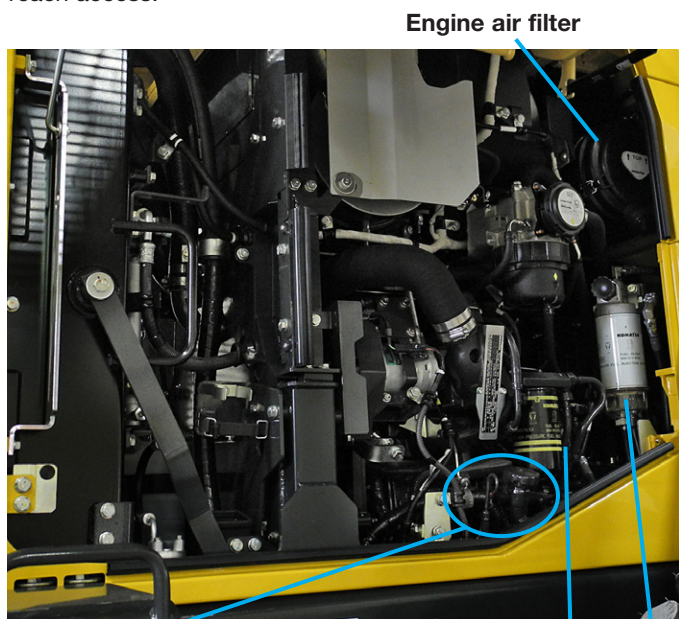
Battery Disconnect Switch

The battery disconnect switch is located on the right side of the machine. This can be used to disconnect power when performing service work on the machine.



Engine Compartment

The WA200-8 engine compartment is designed for easy serviceability. Placement of maintenance items, such as filters, dipsticks, and oil-fill locations are laid out for easy-to-reach access.



Engine air filter

Engine oil dipstick and fill

Fuel filter

Fuel pre-filter and priming pump

DEF Tank

The DEF tank is ground-level accessible on the left side of the machine near the cab door for easy access. The tank features a sight glass that helps prevent overfilling.



DEF tank

Cab Air Filter

The inside and outside air filters can be replaced easily without the need for tools. The outside filter is located behind a lockable door for security.



Inside air filter

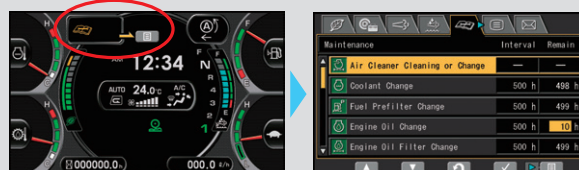
Outside air filter

Maintenance Information

“Maintenance time caution lamp” display

When the time before required maintenance is less than 30 hours*, the maintenance-time monitor appears. Pressing the menu switch displays the maintenance screen.

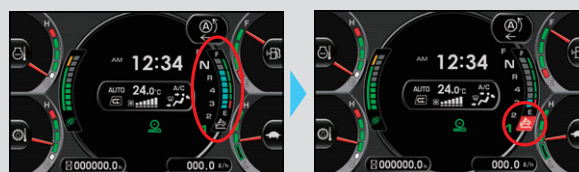
* : The setting can be changed within the range between 10 and 200 hours.



Maintenance screen

Supports DEF level and refill timing

The DEF level gauge is displayed continuously on the monitor panel. In addition, when the refill timing is reached, the DEF-low-level icon appears to alert the operator.



DEF level gauge

DEF low level guidance

Full Rear Fenders (Option)

The WA200-8 has a new rear fender option. The rear fenders open upward and use gas-assist struts, which require low lift force.

The fenders swing up with the gull-wing doors to give the technician easy access to the engine compartment. Mud flaps are also included on the rear fenders.



KOMATSU PARTS & SERVICE SUPPORT



KOMATSU CARE

Program Includes:

The WA200-8 comes standard with complimentary factory scheduled maintenance for the first 3 Years or 2,000 Hours, whichever comes first.*

Planned Maintenance Intervals at:

500/1000/1500/2000 hour intervals. (250 hr. initial interval for some products) Complimentary Maintenance Interval includes: Replacement of Oils & Fluid Filters with genuine Komatsu Parts, 50-Point inspection, Komatsu Oil & Wear Analysis Sampling (KOWA) / Travel & Mileage (distance set by distributor; additional charges may apply)

Benefits of Using Komatsu CARE

- Assurance of Proper Maintenance with OEM Parts & Service
- Increased Uptime & Efficiency
- Factory Certified Technicians Performing Work
- Cost of Ownership Savings
- Transferable Upon Resale

Complimentary SCR System Maintenance

The WA200-8 also includes 2 factory recommended services of the Selective Catalytic Reduction (SCR) Diesel exhaust fluid (DEF) system during the first 5 years including: Factory recommended DEF tank flush and strainer cleaning at 4,500 hours and 9,000 hours.

Interval PM	i250	500	1000	1500	2000
CLEAN AC FRESH AND RECIRC AIR FILTERS	✓				
REPLACE HYDRAULIC OIL FILTER ELEMENT	✓				✓
REPLACE HST OIL FILTER	✓		✓		✓
KOWA SAMPLING – (Engine, Front Axle & Rear Axle, Hydraulics, Transfer case)	✓	✓	✓	✓	✓
CHECK AND CLEAN AIR CLEANER	✓	✓	✓	✓	✓
CHECK AND CLEAN FUEL BREATHER ELEMENT	✓	✓	✓	✓	✓
LUBRICATE REAR AXLE PIVOT PIN	✓	✓	✓	✓	✓
LUBRICATE WORK EQUIPMENT	✓	✓	✓	✓	✓
DRAIN SEDIMENT FROM FUEL TANK	✓	✓	✓	✓	✓
COMPLETE 50 POINT INSPECTION FORM; LEAVE PINK COPY WITH CUSTOMER OR IN CAB	✓	✓	✓	✓	✓
RESET MONITOR PANEL MAINTENANCE COUNTER FOR APPROPRIATE ITEMS	✓	✓	✓	✓	✓
CHANGE ENGINE OIL		✓	✓	✓	✓
REPLACE ENGINE OIL FILTER		✓	✓	✓	✓
REPLACE AC FRESH & RECIRC AIR FILTERS		✓	✓	✓	✓
REPLACE FUEL PRE-FILTER		✓	✓	✓	✓
REPLACE FUEL MAIN FILTER			✓	✓	✓
CHANGE OIL IN TRANSFER CASE			✓	✓	✓
CLEAN TRANSFER CASE STRAINER			✓	✓	✓
CLEAN TRANSFER BREATHER			✓	✓	✓
LUBRICATE CENTER HINGE PIN			✓	✓	✓
CHANGE OIL IN HYDRAULIC TANK				✓	✓
REPLACE HYDRAULIC TANK BREATHER ELEMENT					✓
CLEAN HYDRAULIC TANK STRAINER					✓
CHANGE FRONT AND REAR AXLE OIL					✓
CLEAN BRAKE CIRCUIT STRAINER					✓
REPLACE KCCV FILTER					✓
REPLACE HST DRAIN OIL FILTER					✓
REPLACE DEF PUMP FILTER					✓
REPLACE DEF TANK BREATHER					✓
FACTORY TRAINED TECHNICIAN LABOR	✓	✓	✓	✓	✓
2 SCR System Maintenance Services at 4,500 Hrs. and 9000 Hrs.					

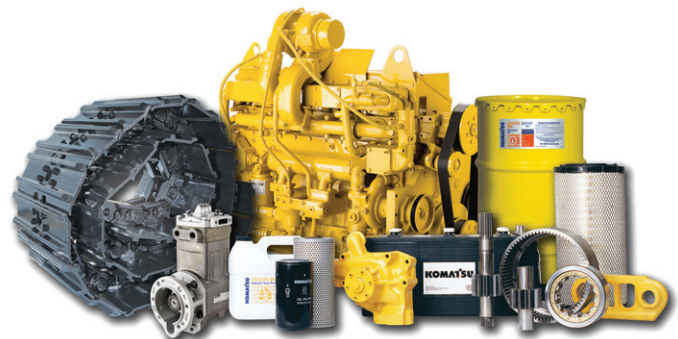
Komatsu CARE® – Extended Coverage

- Extended Coverage can provide peace of mind by protecting customers from unplanned expenses that effect cash flow
- Purchasing extended coverage locks-in the cost of covered parts and labor for the coverage period and helps turn these into fixed costs



Komatsu Parts Support

- 24/7/365 to fulfill your parts needs
- 9 parts Distribution Centers strategically located across the U.S. and Canada
- Distributor network of more than 300 locations across U.S. and Canada to serve you
- Online part ordering through Komatsu eParts
- Remanufactured components with same-as-new warranties at a significant cost reduction



Komatsu Oil and Wear Analysis (KOWA)

- KOWA detects fuel dilution, coolant leaks, and measures wear metals
- Proactively maintain your equipment
- Maximize availability and performance
- Can identify potential problems before they lead to major repairs
- Reduce life cycle cost by extending component life

* Certain exclusions and limitations apply. Refer to the customer certificate for complete program details and eligibility. Komatsu® and Komatsu Care® are registered trademarks of Komatsu Ltd. Copyright 2017 Komatsu America Corp.

WA200-8

KOMTRAX EQUIPMENT MONITORING

GET THE WHOLE STORY WITH
KOMTRAX[®]

✓ **WHAT**

- KOMTRAX is Komatsu's remote equipment monitoring and management system
- KOMTRAX **continuously monitors and records** machine health and operational data
- Information such as fuel consumption, utilization, and a detailed history **lowering owning and operating cost**

✓ **WHEN**

- Know when your machines are **running or idling** and make decisions that will improve your fleet utilization
- Detailed movement records ensure you know when and where your equipment is moved
- Up to date records allow you to **know when maintenance is due** and help you plan for future maintenance needs

✓ **WHERE**

- KOMTRAX data **can be accessed virtually anywhere** through your computer, the web or your smart phone
- Automatic alerts keep fleet managers up to date on the latest machine notifications

✓ **WHY**

- Knowledge is power - **make informed decisions** to manage your fleet better
- Knowing your idle time and fuel consumption will help maximize your machine efficiency
- **Take control of your equipment** - any time, anywhere

✓ **WHO**

- KOMTRAX is **standard** equipment on all Komatsu construction products



KOMTRAX[®]

For construction and compact equipment.

KOMTRAX Plus[®]

For production and mining class machines.

SPECIFICATIONS



ENGINE

Model..... Komatsu SAA4D107E-3*
 Type..... Water-cooled, 4-cycle
 Aspiration..... Variable geometry, turbo-charged, after-cooled, cooled EGR
 Number of cylinders..... 4
 Bore..... 107 mm **4.21"**
 Stroke..... 124 mm **4.88"**
 Piston displacement..... 4.46 ltr **272 in³**
 Governor..... All-speed, electronic
 Horsepower:
 SAE J1995.....Gross 95.2 kW **128 HP**
 ISO 9249 / SAE J1349..... Net 94 kW **126 HP**
 Rated rpm..... 2000 rpm
 Fan drive method for radiator cooling.....Hydraulic
 Fuel system.....Direct injection
 Lubrication system:
 Method.....Gear pump, force-lubrication
 Filter.....Full-flow type
 Air cleaner..... Dry type with double elements and dust evacuator, plus dust indicator

*EPA Tier 4 Final emissions certified



TRANSMISSION

Transmission.....Hydrostatic, 1 pump, 2 motors with speed range select

Travel speed	Forward	Reverse
1st	0 - 14.3 km/h 0 - 8.9 mph	0 - 14.3 km/h 0 - 8.9 mph
2nd	14.3 km/h 8.9 mph	14.3 km/h 8.9 mph
3rd	23.2 km/h 14.4 mph	23.2 km/h 14.4 mph
4th	38.0 km/h 23.6 mph	38.0 km/h 23.6 mph

Measured with 20.5-R25 tires



AXLES AND FINAL DRIVES

Drive system.....Four-wheel drive
 Front..... Fixed, semi-floating
 Rear..... Center-pin support, semi-floating, 24° total oscillation
 Reduction gear.....Spiral bevel gear
 Differential gear.....Torque proportioning
 Final reduction gear..... Planetary gear, single reduction



BRAKES

Service brakes..... Hydraulically actuated, wet disc brakes actuate on four wheels
 Parking brake..... Wet, multi-disc brake on transfer output shaft
 Secondary brake..... One of dual service brake circuits is commonly used



STEERING SYSTEM

Type..... Articulated type, fully-hydraulic power steering
 Steering angle..... 38° each direction (40° to max end stop)
 Minimum turning radius at the center of outside tire..... 4880 mm **16' 0"**



HYDRAULIC SYSTEM

Steering system:
 Hydraulic pump..... Gear type pump
 Capacity..... 85 ltr/min **22.5 U.S. gal/min** at rated rpm
 Relief valve setting..... 20.6 MPa 210 kgf/cm² **3,000 psi**
 Hydraulic cylinders:
 Type..... Double-acting, piston type
 Number of cylinders..... 2
 Bore x stroke..... 70 mm x 453 mm **2.76" x 17.8"**
 Loader control:
 Hydraulic pump..... Gear type pump
 Capacity..... 54 ltr/min **14.3 U.S. gal/min** at rated rpm
 Relief valve setting..... 20.6 MPa 210 kgf/cm² **3,000 psi**
 Hydraulic cylinders:
 Type..... Double-acting, piston type
 Number of cylinders—bore x stroke:
 Lift cylinder..... 2- 125 mm x 673.5 mm **4.9" x 26.5"**
 Bucket cylinder..... 1- 150 mm x 504 mm **5.9" x 19.8"**
 Control valve..... 2-spool type
 Control positions:
 Boom..... Raise, hold, lower, and float
 Bucket..... Tilt-back, hold, and dump
 Hydraulic cycle time (rated load in bucket)
 Raise..... 5.7 sec
 Dump..... 1.9 sec
 Lower (Empty)..... 3.2 sec

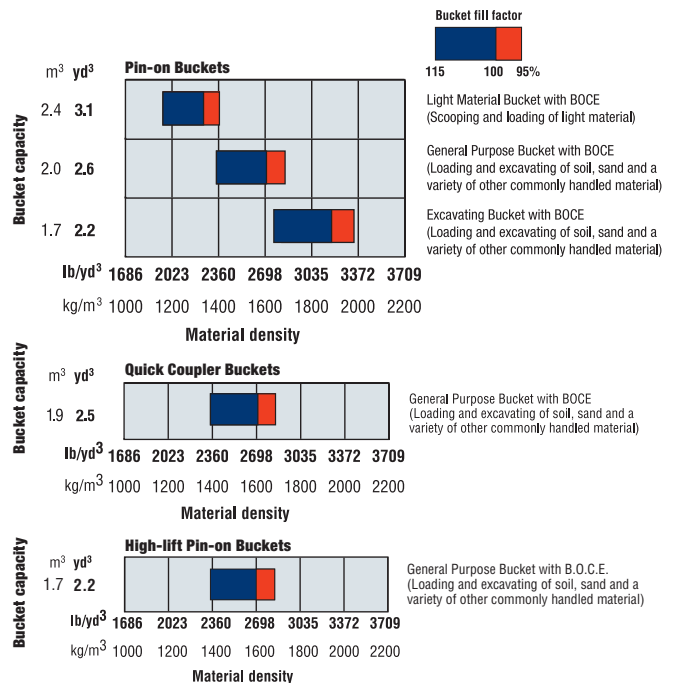


SERVICE REFILL CAPACITIES

Cooling system..... 26.5 ltr **7.0 U.S. gal**
 Fuel tank..... 177 ltr **46.8 U.S. gal**
 Engine..... 15.5 ltr **4.1 U.S. gal**
 Hydraulic system..... 58 ltr **15.3 U.S. gal**
 Axle front..... 18.5 ltr **4.9 U.S. gal**
 Axle rear..... 18 ltr **4.8 U.S. gal**
 Transfer case..... 5 ltr **1.3 U.S. gal**
 DEF tank..... 14 ltr **3.7 U.S. gal**



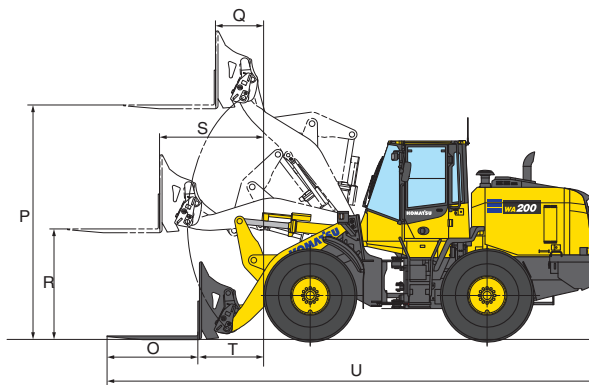
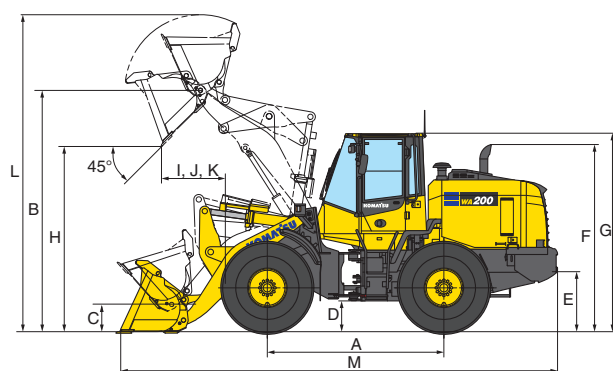
BUCKET SELECTION GUIDE





DIMENSIONS

Measured with 20.5-R25(L3) Tires, ROPS/FOPS cab



Tread		1930 mm	6'4"
Width over tires		2470 mm	8'1"
A Wheelbase		2840 mm	9'4"
B Hinge pin height,	Standard Boom	3885 mm	12'9"
max. height	High Lift Boom	4325 mm	14'4"

C Hinge pin height,	Standard Boom	425 mm	1'5"
carry position	High Lift Boom	615 mm	2'0"
D Ground clearance		495 mm	1'7"
E Hitch height		965 mm	3'2"
F Overall height, top of the stack		3010 mm	9'10"
G Overall height, ROPS cab		3200 mm	10'6"

BUCKET

	General Purpose Bucket w/ Pin On		High Lift General Purpose Bucket w/ Pin On	
	B.O.C.E.	B.O.C.E.	B.O.C.E.	B.O.C.E.
Bucket capacity: heaped	2.0 m ³ 2.6 yd³	2.4 m ³ 3.1 yd³	1.9 m ³ 2.5 yd³	1.7 m ³ 2.2 yd³
struck	1.7 m ³ 2.2 yd³	2.0 m ³ 2.6 yd³	1.6 m ³ 2.1 yd³	1.4 m ³ 1.8 yd³
Bucket width	2550 mm 8'4"	2550 mm 8'4"	2550 mm 8'4"	2550 mm 8'4"
Bucket weight	890 kg 1,926 lb	965 kg 2,127 lb	885 kg 1,951 lb	825 kg 1,819 lb
H Dumping clearance, max. height and 45° dump angle*	2965 mm 9'8"	2875 mm 9'5"	2810 mm 9'3"	3480 mm 11'5"
I Reach at max. height and 45° dump angle*	950 mm 3'1"	1035 mm 3'5"	1075 mm 3'6"	940 mm 3'1"
J Reach at 2130 mm 7° clearance and 45° dump angle*	1580 mm 5'2"	1625 mm 5'4"	1630 mm 5'4"	1965 mm 6'5"
K Reach with arm horizontal and bucket level*	2315 mm 7'7"	2440 mm 8'0"	2515 mm 8'3"	2600 mm 8'6"
L Operating height (fully raised)	5095 mm 16'8"	5215 mm 17'1"	5220 mm 17'2"	5430 mm 17'10"
M Overall length (bucket on ground)	7130 mm 23'4"	7255 mm 23'10"	7350 mm 24'1"	7515 mm 24'8"
Loader clearance circle (bucket at carry, outside corner of bucket)	11860 mm 38'11"	11930 mm 39'2"	11965 mm 39'3"	12205 mm 40'1"
Digging depth: 0°	110 mm 4"	110 mm 4"	120 mm 5"	195 mm 8"
10°	295 mm 12"	320 mm 13"	340 mm 13"	360 mm 14"
Static tipping load: straight	8725 kg 19,235 lb	8650 kg 19,070 lb	8525 kg 18,794 lb	7075 kg 15,598 lb
40° full turn	7645 kg 16,854 lb	7570 kg 16,689 lb	7450 kg 16,424 lb	6150 kg 13,558 lb
Breakout force	108 kN 11000 kgf 24,251 lb	107 kN 10920 kgf 24,075 lb	96 kN 9755 kgf 21,506 lb	125 kN 12700 kgf 27,999 lb
Operating weight	11715 kg 25,827 lb	11790 kg 25,993 lb	12015 kg 26,489 lb	11875 kg 26,180 lb

* At the end of tooth or B.O.C.E.

All dimensions, weights, and performance values based on ISO 7131, ISO 14397-1 and ISO 7546 standards. Static tipping load and operating weight shown include lubricant, coolant, full fuel tank, ROPS cab and operator. Machine stability and operating weight affected by tire size and attachments.

FORK

	Fork With Quick Coupler
O Fork tine length	1220 mm 4'0"
P Ground to top of tine at maximum lift	3740 mm 12'3"
Q Reach at maximum lift	810 mm 2'8"
R Ground to top of tine - boom and tine level	1750 mm 5'9"
S Reach - boom and tine level	1715 mm 5'8"
T Reach - tine level on ground	1110 mm 3'8"
U Overall length - tine level on ground	7775 mm 25'6"
Static tipping load - boom level: straight	6095 kg 13,437 lb
fork level, tine center	40° full turn 5340 kg 11,773 lb
Operating weight	11705 kg 25,805 lb

Operating load per SAE J1197 (Oct, 2011), 50% of static tipping load.

Static tipping load and operating weight shown include lubricant, coolant, full fuel tank, ROPS cab and operator. Machine stability and operating weight affected by tire size and attachments.



WEIGHT CHANGES

Tires or attachments	Change in operating weight		Change in tipping load				Width over tires		Ground clearance		Change in vertical dimensions	
	kg	lb	Straight		Full turn		mm	ft in	mm	ft in	mm	ft in
			kg	lb	kg	lb						
17.5-25-12PR (L2)	-610	-1345	-405	-893	-405	-893	2375	7'10"	425	1'5"	-70	-3"
20.5-R25 (L2)	+40	+88	+25	+55	+25	+55	2470	8'1"	495	1'7"	0	0



STANDARD EQUIPMENT

- 2-spool valve for boom and bucket control
- Alternator, 24 V/ 90 A
- Automatic hydraulic-driven fan with automatic reverse rotation
- Back-up alarm
- Batteries, 92 Ah/12V (2), 680 CCA
- Battery disconnect
- Boom kick-out, in-cab adjustable
- Bucket positioner
- Color, rear-view camera and monitor
- Counterweight, standard
- Electronically Controlled Suspension System
- Engine, Komatsu SAA4D107E-3 diesel
- Engine shut-off system, electric
- Equipment Management Monitoring System (EMMS)
 - Lights (central warning, brake oil pressure, engine oil pressure, parking brake, cooling fan reverse, DPF restriction, seat belt caution, Komtrax message)
 - Gauges (DEF level, engine coolant temperature, ecology, fuel level, HST oil temperature, speedometer/tachometer), variable speed display
- Front fenders
- Fuel pre-filter with water separator
- Horn, electric
- Hydrostatic transmission
- Komatsu Auto Idle Shutdown
- KOMTRAX® Level 5
- Lift cylinders and bucket cylinder
- Lights
 - Back-up light
 - Stop and tail light
 - Turn signal lamps, 2 front and 2 rear with hazard switch
 - Working lights, halogen, 2 front cab mount
 - Working lights, halogen, 2 front fender mount
 - Working lights, halogen, 2 rear grill mount
- Loader linkage with standard lift arm
- Multifunction mono-lever loader control with transmission F/R switch
- Parking brake, electric
- Radiator, wider core
- Radiator mask, swing up
- Rear view mirrors, outside (2) inside (2)
- Rims for 20.5-R25 tires
- ROPS/FOPS Cab Level 2
 - 2 x DC12V electrical outlets
 - Ashtray
 - Auto air conditioner
 - Cigarette lighter, 24V
 - Color LCD/TFT multi-monitor
 - Cup holder
 - Floor mat
 - Operator seat, reclining, air suspension type, heated
 - Radio, AM/FM with AUX input jack
 - Rear defroster, electric
 - Seatbelt, 2-point retractable, 76mm 3" width
 - Space for lunch box
 - Steering wheel, tilt and telescopic
 - Sun visor, front window
 - Windshield washer and wiper, front with intermittent
 - Windshield washer and wiper, rear
- Service brakes, wet disc type
- Starting motor, 5.5 kW
- Transmission speed ranges, 4 forward and 4 reverse
- Vandalism protection kit, padlocks for battery box (2)



OPTIONAL EQUIPMENT

- Three-spool valve (will utilize integrated proportional control switch included in the multi-function mono-lever) and piping
- Auxiliary steering (SAE)
- Centrifugal engine air pre-cleaner
- Cutting edge (bolt-on type)
- Full rear fenders
- High lift boom
- Limited slip differential (F&R)
- Quick coupler
- Various tire options, radial and bias
- Various bucket and fork options

AESS920-03

©2018 Komatsu America Corp.

Printed in USA

AD05(1.5M)OTP

05/18 (EV-1)

KOMATSU®

Note: All comparisons and claims of improved performance made herein are made with respect to the prior Komatsu model unless otherwise specifically stated.

www.komatsuamerica.com

Komatsu America Corp. is an authorized licensee of Komatsu Ltd. Materials and specifications are subject to change without notice

KOMATSU, Komatsu Care®, KOMTRAX® and KOMTRAX Plus® are registered trademarks of Komatsu Ltd. All other trademarks and service marks used herein are the property of Komatsu Ltd., Komatsu America Corp. or their respective owners or licensees.