

950M/962M

Wheel Loaders



	950M	962M
Engine Model	Cat® C7.1 ACERT™	Cat C7.1 ACERT
Maximum Gross Power – SAE J1995	187 kW (250 hp)	202 kW (271 hp)
Maximum Net Power – SAE J1349	171 kW (230 hp)	186 kW (250 hp)
Bucket Capacities	2.5-9.2 m ³ (3.3-12.0 yd ³)	2.5-9.2 m ³ (3.3-12.0 yd ³)
Operating Weight	19 213 kg (42,357 lb)*	20 226 kg (44,591 lb)**

*For 3.1 m³ (4.1 yd³) general purpose bucket with BOCE.

**For 3.3 m³ (4.3 yd³) general purpose bucket with BOCE.

RELIABLE, PRODUCTIVE AND FUEL EFFICIENT

- 10% more fuel efficient than the industry leading K Series*
- Up to 25% more fuel efficient than H Series*
- **Optimized Z-bar Linkage** provides optimal visibility, performance and fuel efficiency
- **Performance Series buckets** are easy to load and improve material retention
- **Cat Fusion™ coupler system and work tools** provide a wide range of work tools and allow the same work tool on different sizes of wheel loaders
- **Cat engine with ACERT Technology** which meets U.S. EPA Tier 4 Final and EU Stage IV emission standards and includes Cat Clean Emissions Module for continuous and efficient operation
- **Advanced powershift transmission** with a standard lock up clutch torque converter and lock-to-lock shifting delivers smooth shifts, fast acceleration and speed on grade
- **Next generation axle** with standard on-the-go disc-type front manual differential locks to provide optimal traction in varying underfoot conditions for improved productivity
- **Next generation load-sensing hydraulic system** to provide optimal control of machine functions

EASE OF OPERATION

- **Best-in-class operator environment** for unmatched operator comfort and efficiency
- **Advanced technology with Cat Connect** to monitor, manage and enhance job site operations

SERVICE ACCESS

- Legacy one-piece hood, centralized service centers, windshield cleaning platform and harness tie-off to provide the best in class service access

Contents

Reliable	4
Durable	5
Productive	6
Fuel Efficient	7
Easy to Operate	8
Versatile	10
Integrated Technologies	12
Owning Costs	14
Operating Costs	15
Serviceable	16
Sustainable	17
Customer Support	17
Specifications	18
Standard Equipment	32
Optional Equipment	33
Notes	34



**Fuel efficiency is measured in mass of material moved per volume of fuel burned. Average efficiency improvement as tested and analyzed for an average composite cycle and standard configuration with variations per comparable model with and without Economy Mode active. Factors influence result variation such as, but not limited to, machine configuration, operator technique, machine application, climate, etc.*



The new 950M and 962M Wheel Loaders have a Tier 4 Final/Stage IV ACERT engine equipped with a combination of proven electronic, fuel, air and aftertreatment components. Applying proven technologies systematically and strategically lets us meet our customer's high expectations for productivity and fuel efficiency. Deep system integration results in reduced emissions, improved performance and improved fuel economy without interrupting machine performance making it seamless to operators. The reliability, durability, and versatility of both the 950M and 962M result in machines that are better built to meet your needs.



Reliable

Proven Components and Technology You Can Count On.

Every Tier 4 Final/Stage IV ACERT engine is equipped with a combination of proven electronic, fuel, air and aftertreatment components.

More Powerful, Reliable Engine Electronics

The electronics used in Cat Tier 4 Final/Stage IV engines are more powerful and robust than ever. Increased features and connection commonality improve the customer experience and increase quality and reliability. Over-foam wiring harness adds to reliability even in the most demanding applications.

Hydraulics

The 950M and 962M hydraulic systems have significant design changes and customer value improvements. The main hydraulic valve is now a mono-block with an integrated ride control section. The mono-block design reduces weight, has forty percent fewer leak points and is common across all M Series models. Auxiliary third and fourth hydraulic functions can be easily added at the factory or in the field with the addition of a second remote valve.

Equipment Monitoring

Cat Connect technologies and Cat dealer services take the guesswork out of equipment management. Product Link™ and the online VisionLink® application enable you to monitor real-time machine data and manage machines health. Your Cat dealer offers expert advice and S-O-SSM Services to maintain equipment reliability and efficiency.

Cold Start Package

The new optional cold start package provides dependable starts in extreme cold weather and high altitudes.



Durable Better Built to Meet Your Needs.

Frames

The robotically welded two-piece structural frame design provides strong and rigid structures that absorb all the forces associated to penetration, loading and twisting.

The M Series articulating hitch system, joining the front and rear frames, provides increased bearing force capacity.

Axles

The M Series axles are designed to handle extreme applications resulting in reliable performance and durable life. The rear axle can oscillate to ± 13 degrees helping to ensure all four wheels stay on the ground providing stability even in the roughest terrain, for excellent stability and traction.

Productive

Work Smart and Move More.



The right technologies fine-tuned for the right applications result in:

- **High Performance** across a variety of applications.
- **Enhanced Reliability** through commonality and simplicity of design.
- **Maximized Uptime and Reduced Cost** with world-class support from the Cat dealer network.
- **Minimized Impact of Emission Systems** – Designed to be transparent to the operator without requiring interaction.
- **Durable Designs** with long life to overhaul.
- **Delivering Better Fuel Economy** with minimized maintenance costs while providing the same great power and response.

Hydraulics

The new ride control system now has two accumulators enabling it to be more effective over a greater payload range, increasing productivity and operator efficiency due to a better ride.

The next generation implement pump continuously and automatically balance hydraulic loads with the machine performance desired by the operator. Engine response is improved as is performance at higher altitudes.

Transmission

The 950M and 962M power trains have been improved with the addition of a 5 speed transmission which includes a lock up clutch torque converter standard. These new torque converters have been matched with the engine power and hydraulics to improve performance and fuel efficiency. These rugged planetary transmissions also have a new split-flow oil system which use new multi-viscosity oil to improve fuel economy.

Axles

The new on-the-go disc-type differential locks will improve tractive ability in these applications thereby increasing productivity. These models come standard with front axle differential locks which are manually activated by a switch on the floor. Optional fully automatic front and rear axle differential locks operate by measuring differences in axle speeds and require no operator intervention to activate. These disc-type differential locks will reduce tire scuffing compared to other traction aids further reducing operating costs for customers.

The axles have new external caliper disc parking brakes mounted to the input shaft of the front axles. Since they are external, they do not have the inefficiencies of enclosed wet parking brakes due to brake discs running in oil nor is there any oil to change reducing fuel and maintenance costs. External caliper parking brakes are easily accessible for inspection and service.

Fuel Efficient

Engineered to Lower Your Operating Costs.

Engine and Emissions

The Cat C7.1 ACERT engine is designed for maximum fuel efficiency and increased power density, while meeting Tier 4 Final/Stage IV emission standards. This engine features innovative Cat electronics, fuel injection process, air-management systems, aftertreatment solution with Cat Selective Catalytic Reduction, and a fuel efficient regeneration system. The Cat Regeneration System automatically removes soot from the Diesel Particulate Filter without interrupting your machine's work cycle.

Efficient Systems and Components

Innovative systems intelligently lower the average working engine speeds and reduce the overall system heat loads which result in significantly improved performance and fuel efficiency.

Advanced Systems with Innovative Integration

The deep system integration of the new engine and emissions system, power train, hydraulic system and cooling system result in lower fuel consumption on average compared to the 950K and 962K.

Economy Mode

The productive economy mode automatically controls the engine torque and speed based on the machine's power train load and places engine speed and torque in the most efficient operating range. The result is improved fuel efficiency while delivering optimal performance.



Next Generation Fuel Systems

Cat injection timing precisely controls the fuel injection process through a series of carefully timed microbursts, providing more control of combustion for the cleanest, most efficient fuel burn. On 950M and 962M the high pressure common rail fuel systems boost performance and reduce soot for the C7.1 ACERT engine.

Cat NO_x Reduction System

The Cat NO_x Reduction System (NRS) captures and cools a small quantity of exhaust gas, then routes it back into the combustion chamber where it drives down combustion temperatures and reduces NO_x emissions.

Aftertreatment Technologies

To meet the additional 80% reduction in NO_x emissions required by Tier 4 Final/Stage IV emission standards, one new system, the Selective Catalytic Reduction (SCR), has been added to the already proven Cat U.S. EPA Tier 4 Interim/EU Stage IIIB aftertreatment solution.

Easy to Operate

Safe. Comfortable. Efficient.



Improving operator efficiency remains a key design goal for the 950M and 962M. Ensuring operators are safe, confident in the control of their machines, have a clean, comfortable and quiet operating environment with controls that are intuitive and low effort all contribute to lower operator fatigue and better performance.

Cab Access

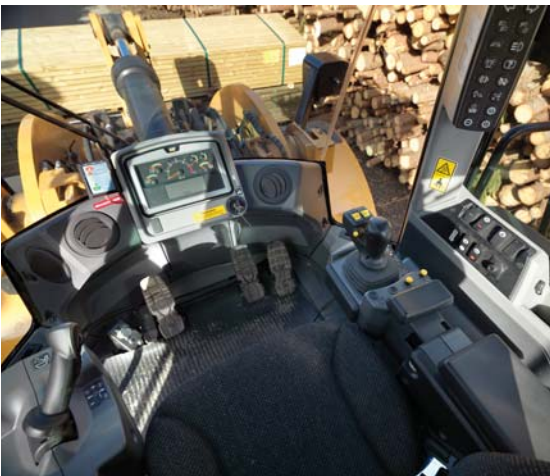
A switch has been added to the electronic service center which unlatches the door remotely (optional). The gas strut then swings the door open all while the operator is safely on the ground. The angle of the steps up to the cab have been increased to an optimal fifteen degrees enabling operators to walk up like stairs versus climbing more vertically like a ladder. Grab handles have been repositioned so a secure three points of contact can be maintained at all times.

Visibility

Once in the cab, the new door securely seals against the new roll formed ROPS posts and the lower glass panel has been extended several inches to improve visibility to the left side of the machine. New larger convex mirrors improve visibility to the rear and integrated spot mirrors provide visibility close to both sides of the machine.

Sound

Viscous cab mounts connect the cab to the frame of the machine, decreasing noise and vibration the operator is subjected to. The result is a sustainable work environment and well-rested operator, remaining efficient and productive.



Central Display

The central display panel has a large text box, five analog gauges, and LED warning indicators. The large text box provides in-language information about machine operation, feature activation and system troubleshooting and calibration. With the five large analog gauges the operator can easily identify if key systems are within normal operating range.



Touch Screen Display

A new multipurpose color touch screen display dramatically simplifies the operator interface; with machine controls, rear vision camera and new fully integrated Cat Production Measurement system. Intuitive navigation with in-language text enables operators to modify certain machine operating parameters and monitor machine conditions literally at the touch of their fingers.

Control Panel

Sealed against moisture and dirt, the centralized switch panel with LED's provides reliability and ready access to frequently required functions, even while wearing gloves. The ISO symbols located on each membrane switch are molded all the way through to ensure the image will not wear off over time.

The M Series maintains the "help" feature which explains the function of each membrane switch.

Focusing on operator efficiency, the control panel has been streamlined to include easy to reach highly utilized machine controls. The touch screen display enables the relocation of some expanded functions while eliminating the need for a second switch panel for further simplicity and easy machine operation.



Conventional Steering

The conventional steering configuration on these machines offers a low-effort hand metering unit hydraulic steering system. Load sensing steering directs power through the steering system only when needed.



Optional Electro-Hydraulic (EH) Joystick Steering with Force Feedback (Speed Sensitive)

Your operators will enjoy and quickly adopt the industry leading seat mounted EH joystick steering system, which provides precision control and dramatically decrease operator arm fatigue.



Implement Controls (EH)

Seat mounted single axis implement control levers provide your operator with precise control of the work tool, all while moving with the seat for maximum comfort. In-cab programmable kick-outs and automatic cylinder snubbing are easy to set on-the-go for tilt, lower and lift, ideal for repeatable cycles.

Ride Control

The next generation of ride control works as a shock absorber, improving ride quality and smoothness over rough terrain, increasing your operator confidence, comfort and efficiency, ensuring excellent material retention.

Versatile

Linkage and Guard Options to Meet Your Various Applications Needs.



Optimized Z-bar Linkage

Development of the optimized Z-bar linkage was done in conjunction with the Performance Series Buckets, Fusion coupler and Fusion family of work tools to ensure that all components function together to optimize visibility, performance and fuel efficiency. Visibility has been optimized by placing hydraulic hoses and structural components out of the operator's sight lines. Parallel lift capabilities, high breakout forces and high tilt forces at maximum lift enhance performance and versatility.

High Lift Linkage

The optional high lift linkage offers increased hinge pin height to load more easily in a variety of applications with any type of bucket or fork.

Aggregate Handler

Aggregate packages are specialized offerings for specific loose aggregate rehandling applications, such as truck loading, hopper charging, stockpiling, and load and carry. Rehandling loose aggregate is less stressful on the machine, therefore payloads can be increased above other applications by installing larger buckets, counterweights and a scale system such as the Cat Production Measurement system.

To do so, the Cat aggregate packages require some prerequisites in terms of correct application, machine configuration and conformance to Caterpillar payload policy. Misapplication of Aggregate Handlers may result in significant reliability and durability risk.

Industrial and Waste Handler

The Industrial and Waste Packages offer integrated guards to preserve your machine from the harsh environment of a scrap or waste handling application. The machine guarding is purpose built to protect your machine's major components and systems to ensure durability and reliability.



Versatile

Do More Jobs with One Machine, Fusion Quick Coupler and Various Work Tools.

An extensive range of work tools and bucket styles are available to customize these machines for your operation. Work tools are available either with pin on or quick coupler interface.

Performance Series Buckets

- **Load Easy, Fuel Efficient, Carry More** – Performance Series Buckets utilize a system-based approach to balance bucket shape with the machine’s linkage, weight, lift and tilt capacities. Operators benefit from reduced dig times and better material retention; ultimately translating into significant productivity and fuel efficiency improvements.
- **Lower Operating Costs** – Performance Series Buckets feature a longer floor that easily digs through the pile and provides excellent visibility for the operators to see when the bucket is full. Less time digging in the pile results in lower fuel consumption and improved tire life. A unique spill guard protects the cab and linkage components from material overflow.
- **Higher Productivity** – Performance Series Buckets achieve higher fill factors – ranging from 100% to 115% depending on the machine application and material type. The buckets feature a curved side profile to maximize material retention. The optimized design results in unsurpassed production capabilities.

Fusion Quick Coupler

Improved Machine Performance

Fusion is the patented wheel loader coupler system from Caterpillar. The Fusion Coupler System provides performance virtually identical to pin on – with all the flexibility of a quick coupler system. The Fusion Coupler sits back, close in to the loader arms – minimizing offset and increasing the machine’s performance.

No Loss of Performance

Fusion is designed to integrate the work tool and the machine by pulling the coupler and tool closer in to the loader. As a result, the center of gravity is moved inward, towards the machine. This translates to increased lifting ability when compared to machines equipped with other coupler systems.

Unsurpassed Durability

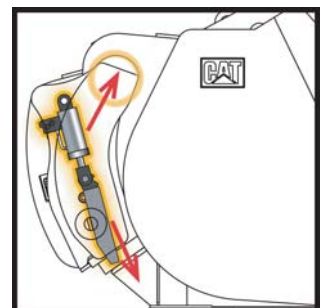
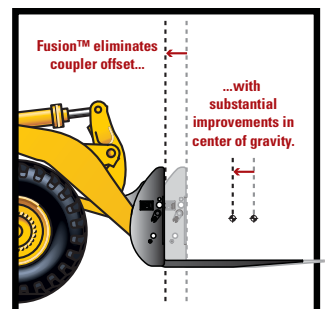
An advanced wedging mechanism creates a tight, rattle-free fit. This patented lock up system eliminates play and wear – resulting in a long service life.

Increased Visibility

A new, open coupler frame design clears sight lines from the operator’s seat, making it easier than ever before to engage and disengage attachments with certainty.

Common Interface Compatibility

The Fusion Coupler System not only allows one machine to use a range of work tools, but also allows one work tool to be picked up by machines of many different sizes.





Integrated Technologies

Monitor, Manage, and Enhance Job Site Operations.

Cat Connect makes smart use of technology and services to improve your job site efficiency. Using the data from technology-equipped machines, you'll get more information and insight into your equipment and operations than ever before.

Cat Connect technologies offer improvements in these key areas:



EQUIPMENT
MANAGEMENT

Equipment Management – increase uptime and reduce operating costs.



PRODUCTIVITY

Productivity – monitor production and manage job site efficiency.



SAFETY

Safety – enhance job site awareness to keep your people and equipment safe.

LINK Technologies

LINK technologies wirelessly connect you to your equipment giving you access to essential information you need to know to run your business. Link data can give you valuable insight into how your machine or fleet is performing so you can make timely, fact-based decisions that can boost job site efficiency and productivity.

Product Link/VisionLink

Product Link is deeply integrated into your machine to take the guesswork out of equipment management. Easy access to timely information like machine location, hours, fuel usage, idle time and event codes via the online VisionLink user interface can help you effectively manage your fleet and lower operating cost.



PAYLOAD Technologies

PAYLOAD technologies provide accurate weighing of materials being loaded and hauled. Payload data is displayed for loader operators in real-time to improve productivity, reduce overloading, and recorded to track material movement by shift.



Cat Production Measurement

Cat Production Measurement brings payload weighing to the cab, enabling operators to weigh loads “on-the-go” during loading operations. Loads are weighed as the bucket is raised during the lift cycle – eliminating the need to interrupt the load cycle, improving loading efficiency. Operators can view load weights on the integrated multi-function display and know precisely how much material is in the bucket and when trucks are filled to target payload – before leaving the loading zone. Instant feedback gives operators the confidence to work more effectively, maximizing the potential of the entire fleet. An optional in-cab printer provides the driver a printed receipt of truck payloads.

Operators can track recorded weights and cycles using the display. Site managers can wirelessly access data via the VisionLink web portal to measure production and monitor efficiency.



DETECT Technologies

DETECT technologies enhance operator awareness of the environment around working equipment and provide alerts to help keep people and assets safe.

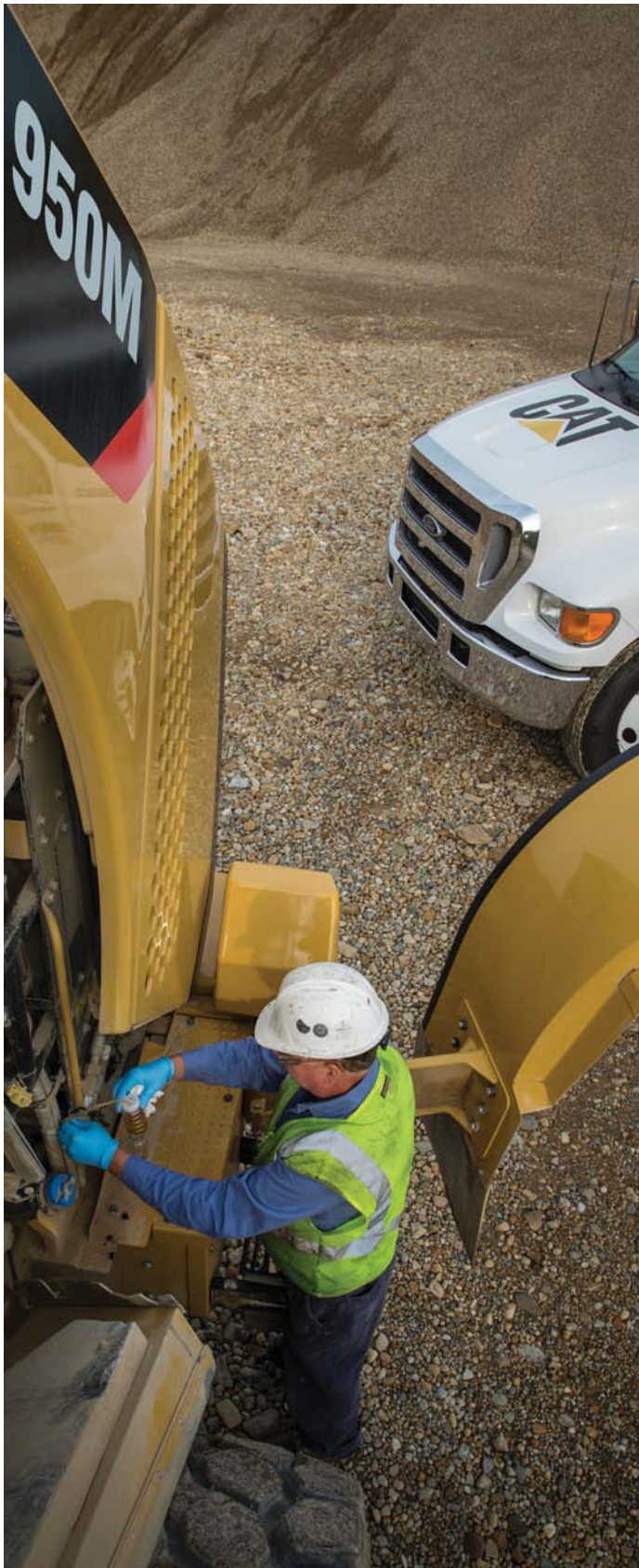
Rear Vision Camera

The standard rear vision camera enhances visibility behind the machine, helping the operator work confidently, at peak potential. A rear view and payload data is displayed on the multi-function monitor during reverse travel. An optional second display can be added to provide a dedicated rear view of the job site.



Owning Costs

Proven Best Investment.



Customer Support Agreements

A Customer Support Agreement (CSA) is an arrangement between you and your Cat dealer that helps you lower your total cost per ton. CSAs are flexible, allowing them to be tailored to your business needs. They can range from simple Preventive Maintenance Kits to elaborate Total Cost Performance Guarantees. Having a CSA with your Cat dealer enables more time for you to do what you do best – run your business.

Monitoring Systems

Monitoring product health is key to optimizing the life of an investment into a Cat Wheel Loader.

- **Cat Product Link** – Cat Product Link allows remote monitoring of equipment to improve overall fleet management effectiveness. Product Link is deeply integrated into machine systems. Events and diagnostic codes, as well as hours, fuel, idle time and other detailed information are transmitted to a secure web based application, VisionLink. VisionLink includes powerful tools to convey information to users and dealers, including mapping, working and idle time, fuel level and more.
- **S-O-S Services** – Helps manage component life and decrease machine downtime, increasing productivity and efficiency. Regular fluid sampling can help track what is going on inside your machine. Wear related problems are predictable and easily repairable. Maintenance can be done to accommodate your schedule, resulting in increased uptime and flexibility in maintenance repairs before failure.

Parts Availability

Caterpillar provides an unsurpassed level of personalized service to help you work more cost effectively and efficiently. By utilizing a worldwide parts network Cat dealers help minimize machine downtime and save money by delivering replacement parts within 24 hours.

Resale Value

Owning quality equipment is an important factor in maintaining resale value. Caterpillar is not only known for machines that are better built, but provides product and dealer support to maintain the reliability and durability of your machine.



Operating Costs

Save Time and Money by Working Smart.

Machine configuration, operator technique, and job site layout can impact fuel consumption by as much as 30 percent. Data from customer machines show Cat wheel loaders are the most fuel efficient machines in the industry. Several features contribute to this excellent fuel efficiency:

- **New M Series Tier 4 Final/Stage IV Engine, Hydraulics, Transmission and Ride Control** – Deep system integration results in reduced emissions, more productivity, lower fuel consumption, without interrupting machine performance – making it seamless to you and your operators.
- **New Manual/Automatic Differential Locks** – Increase traction, reduce tire scuffing compared to other traction aids, further reducing your operating costs.

- **New External Caliper Disc Parking Brakes** – Easily accessible for maintenance.
- **Lock-up-Clutch Torque Converter and Shift Strategy** – Reduced torque interruption increases driveline efficiency, conserving fuel. Auto 1-4 transmission mode keeps engine rpm low, reducing fuel consumption while delivering optimal machine performance.
- **Machine Configuration** – Select the correct linkage, guarding, work tool and tire type based on machine application. Radial tires are preferred; ensure proper inflation pressures. Heavier tires burn more fuel.
- **Performance Series Buckets** – Deliver faster fill times and better material retention, ultimately reducing cycle times while improving productivity and fuel efficiency.

Enabling Application Efficiency

- **Loading Bucket** – Load in first gear and keep engine rpm low. Raise and tilt bucket smoother, with Caterpillar's multi-function capability, and do not use a "pumping" motion. Avoid lift lever detent and use of transmission neutralizer. Use programmable kick-outs and automatic cylinder snubbing during repeated cycles.
- **Loading Truck or Hopper** – Do not raise the work tool any higher than necessary. Keep engine rpm low and unload in controlled manner.
- **Idle** – Set the parking brake to engage Engine Idle Management System to conserve fuel.
- **Job Site Layout** – Spot loading targets in the right position. Avoid traveling more than twice the machine length during short cycle loading. Reduce transport distance for load and carry cycles by optimizing job site layout.

Serviceable

Easy to Maintain. Easy to Service.

Engine Access

The Cat sloped “one-piece” tilting hood provides industry leading access to the engine. Its design has further been improved on all M Series wheel loaders to provide the best-in-class service access to engine, oil levels and coolant sight gauge.

Cooling System

The cooling system is readily accessible for clean out and maintenance. With nine cooling fins per 25.4 mm (1.0 in) and a perforated grill, most airborne debris entering the system passes through the cooler cores. The hydraulic and A/C cooler cores swing out providing easy access to both sides for cleaning. An access panel on the left side of the cooling package swings down to provide access to the back side of the engine coolant and Air-to-Air After Cooler (ATAAC). An optional variable pitch fan can automatically purge the cooler cores by periodically reversing the airflow when needed.

Service Centers

The electrical and hydraulic service centers provide grouped ground level access to numerous features, enhancing safety and convenience for your operators and service technicians, while reducing service time.

The electrical service center, located beneath the left platform, contains the maintenance free batteries, a fuse relay panel, main disconnect switch, ground level engine shutdown switch, hood tilt switch, and the jump start receptacle.

Hydraulic system components on the 950M and 962M are protected by full flow and kidney-loop filtration. A filter in the hydraulic tank return line filters all of the oil returning to the tank. There is also a case drain screen for additional protection and finally, a separate kidney-loop filter with a finer micron rating continuously filters smaller particles out of the system. This multilevel design ensures the hydraulic oil is clean and thoroughly protects the rest of the hydraulic system from contamination. A new thermal bypass valve has been added to improve hydraulic system warm-up.

The hydraulic service centers are now virtually identical for the M Series product line. This new consistent layout makes it easier for service technicians who work on a variety of M Series models.



Sustainable Conserving Resources.

The 950M and 962M are designed to compliment your business plan, reduce emissions and minimize the consumption of natural resources.

- Improved fuel efficiency – less fuel consumed results in lower emissions.
- Machines are built with a 97% recyclability rate (ISO 16714) to conserve valuable natural resources and further enhance machine end of life value.
- Improved operator efficiency through enhanced visibility and reduced noise levels.
- Link technologies enable you to collect and analyze equipment and job site data so you can maximize productivity and reduce costs.
- Major components are rebuildable, eliminating waste and saving money by giving the machine and/or major components a second life – and even a third life.



Customer Support Unmatched Support Makes the Difference.



Renowned Cat Dealer Support

- Your Cat dealer is ready to help you every step of the way. From new or used machine sales, to rental or rebuild options, your Cat dealer can provide an optimal solution to your business needs.
- Unsurpassed worldwide parts availability, trained technicians and customer support agreements maximize your machine uptime.
- Financing options are offered to meet a variety of customer needs.

950M/962M Wheel Loaders Specifications

Engine – 950M

Engine Model	Cat C7.1 ACERT	
Maximum Gross Power (2,100 rpm)		
SAE J1995	187 kW	250 hp
Maximum Net Power (2,100 rpm)		
SAE J1349	171 kW	230 hp
Peak Gross Torque (1,300 rpm)		
SAE J1995	1235 N·m	911 lbf-ft
Maximum Net Torque (1,300 rpm)		
SAE J1349	1163 N·m	858 lbf-ft
Bore	105 mm	4.13 in
Stroke	135 mm	5.31 in
Displacement	7.01 L	428 in ³

- Cat engine with ACERT Technology – meets Tier 4 Final/Stage IV emission standards.
- The power ratings apply at the stated speed when tested under the reference conditions for the specified standards.
- The net power advertised is the power available at the flywheel when the engine is equipped with fan, alternator, air cleaner and aftertreatment.
- The gross power advertised is with the fan at maximum speed.

Buckets – 950M

Bucket Capacities	2.5-9.2 m ³	3.3-12 yd ³
-------------------	------------------------	------------------------

Weight – 950M

Operating Weight	19 213 kg	42,357 lb
------------------	-----------	-----------

- Weight based on a machine configuration with Michelin 23.5R25 XHA2 L3 radial tires, full fluids, operator, standard counterweight, cold start, roading fenders, Product Link, manual diff lock/open axles (front/rear), power train guard, secondary steering, sound suppression and a 3.1 m³ (4.1 yd³) general purpose bucket with BOCE.

Operating Specifications – 950M

Static Tipping Load – Full 40° Turn		
With Tire Deflection	11 005 kg	24,262 lb
No Tire Deflection	11 760 kg	25,926 lb
Breakout Force	181 kN	40,690 lbf

- Full compliance to ISO (2007) 143971 Sections 1 thru 6, which requires 2% verification between calculations and testing.

Engine – 962M

Engine Model	Cat C7.1 ACERT	
Maximum Gross Power (2,100 rpm)		
SAE J1995	202 kW	271 hp
Maximum Net Power (2,100 rpm)		
SAE J1349	186 kW	250 hp
Peak Gross Torque (1,350 rpm)		
SAE J1995	1249 N·m	921 lbf-ft
Maximum Net Torque (1,350 rpm)		
SAE J1349	1172 N·m	865 lbf-ft
Bore	105 mm	4.13 in
Stroke	135 mm	5.31 in
Displacement	7.01 L	428 in ³

- Cat engine with ACERT Technology – meets Tier 4 Final/Stage IV emission standards.
- The power ratings apply at the stated speed when tested under the reference conditions for the specified standards.
- The net power advertised is the power available at the flywheel when the engine is equipped with fan, alternator, air cleaner and aftertreatment.
- The gross power advertised is with the fan at maximum speed.

Buckets – 962M

Bucket Capacities	2.5-9.2 m ³	3.3-12 yd ³
-------------------	------------------------	------------------------

Weight – 962M

Operating Weight	20 226 kg	44,591 lb
------------------	-----------	-----------

- Weight based on a machine configuration with Michelin 23.5R25 XHA2 L3 radial tires, full fluids, operator, standard counterweight, cold start, roading fenders, Product Link, manual diff lock/open axles (front/rear), power train guard, secondary steering, sound suppression and a 3.3 m³ (4.3 yd³) general purpose bucket with BOCE.

Operating Specifications – 962M

Static Tipping Load – Full 40° Turn		
With Tire Deflection	11 709 kg	25,814 lb
No Tire Deflection	12 471 kg	27,494 lb
Breakout Force	189 kN	42,489 lbf

- Full compliance to ISO (2007) 143971 Sections 1 thru 6, which requires 2% verification between calculations and testing.

950M/962M Wheel Loaders Specifications

Transmission

Forward 1	6.9 km/h	4.3 mph
Forward 2	12 km/h	7.5 mph
Forward 3	19.3 km/h	12.0 mph
Forward 4	25.7 km/h	16.0 mph
Forward 5	40 km/h	24.9 mph
Reverse 1	6.9 km/h	4.3 mph
Reverse 2	12 km/h	7.5 mph
Reverse 3	25.7 km/h	16.0 mph

- Maximum travel speed in standard vehicle with empty bucket and standard L3 tires with 787 mm (31 in) roll radius.

Hydraulic System

Implement Pump Type	Variable axial piston	
Implement System		
Maximum Pump Output (2,150 rpm)	286 L/min	76 gal/min
Maximum Operating Pressure	29 300 kPa	4,250 psi
Optional 3 rd Function Maximum Flow	240 L/min	63 gal/min
Optional 3 rd Function Maximum Pressure	22 200 kPa	3,220 psi
Hydraulic Cycle Time with Rated Payload	950M	962M
Raise from Carry Position	5.1 Seconds	5.2 Seconds
Dump, at Maximum Raise	1.5 Seconds	1.5 Seconds
Lower, Empty, Float Down	2.3 Seconds	2.7 Seconds
Total	8.9 Seconds	9.4 Seconds

Brakes

Brakes	Brakes meet ISO 3450 standards
--------	--------------------------------

Axles

Front	Fixed
Rear	Oscillating ±13 degrees
Maximum Single-Wheel Rise and Fall	496 mm 1.6 ft

Cab

ROPS/FOPS	ROPS/FOPS meet ISO 3471 and ISO 3449 Level II standards
-----------	---

Sound

- The sound values indicated below are for specific operating conditions only. Machine and operator sound levels will vary at different engine and/or cooling fan speeds. Hearing protection may be needed when the machine is operated with a cabin that is not properly maintained, or when the doors and/or windows are open for extended periods or in a noisy environment.

Operator Sound Pressure Level (ISO 6396:2008)	70 dB(A)*
Exterior Sound Power Level (ISO 6395:2008)	108 dB(A)
Exterior Sound Pressure Level (SAE J88:2013)	75 dB(A)**

*For a standard machine configuration, measured according to the procedures specified with the cooling fan speed set at maximum value.

**For a standard machine configuration, measured according to the procedures specified. The measurement was conducted under the following conditions: distance of 15 m (49.2 ft), moving forward in second gear ratio with the cooling fan speed set at maximum value.

Service Refill Capacities

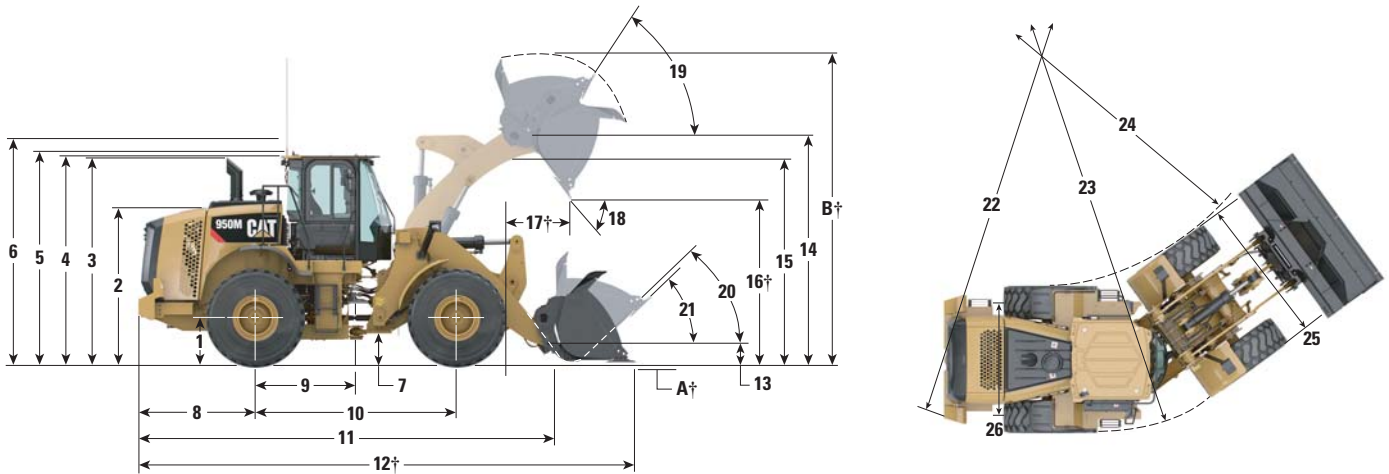
Fuel Tank	275 L	72.6 gal
DEF Tank*	16 L	4.2 gal
Cooling System	59 L	15.6 gal
Crankcase	22 L	5.8 gal
Transmission	43 L	11.4 gal
Differentials and Final Drives – Front	43 L	11.4 gal
Differentials and Final Drives – Rear	43 L	11.4 gal
Hydraulic Tank	125 L	33.0 gal

*Must meet the requirements outlined in ISO 22241-1.

950M/962M Wheel Loaders Specifications

950M Dimensions

All dimensions are approximate.



	Standard Lift		High Lift	
1 Height to Axle Centerline	747 mm	2'5"	747 mm	2'5"
2 Height to Top of Hood	2678 mm	8'9"	2678 mm	8'9"
3 Height to Top of Exhaust Pipe	3427 mm	11'3"	3427 mm	11'3"
4 Height to Top of ROPS	3446 mm	11'4"	3446 mm	11'4"
5 Height to Top of Product Link Antenna	3653 mm	12'0"	3653 mm	12'0"
6 Height to Top of Warning Beacon	3747 mm	12'4"	3747 mm	12'4"
7 Ground Clearance	385 mm	1'3"	385 mm	1'3"
8 Center Line of Rear Axle to Edge of Counterweight	1942 mm	6'4"	1942 mm	6'4"
9 Center Line of Rear Axle to Hitch	1675 mm	5'6"	1675 mm	5'6"
10 Wheelbase	3350 mm	11'0"	3350 mm	11'0"
11 Overall Length (without bucket)	6906 mm	22'8"	7483 mm	24'7"
12 Shipping Length (with bucket level on ground)*†	8199 mm	26'11"	8781 mm	28'10"
13 Hinge Pin Height at Carry Height	647 mm	2'1"	782 mm	2'7"
14 Hinge Pin Height at Maximum Lift	4027 mm	13'3"	4527 mm	14'10"
15 Lift Arm Clearance at Maximum Lift	3371 mm	11'0"	3740 mm	12'3"
16 Dump Clearance at Maximum Lift and 45° Discharge*†	2876 mm	9'5"	3382 mm	11'1"
17 Reach at Maximum Lift and 45° Discharge*†	1430 mm	4'8"	1465 mm	4'10"
18 Dump Angle at Maximum Lift and Dump (on stops)*	51 degrees		48 degrees	
19 Rack Back at Maximum Lift*	59 degrees		59 degrees	
20 Rack Back at Carry Height*	49 degrees		49 degrees	
21 Rack Back at Ground*	36 degrees		40 degrees	
22 Clearance Circle (diameter) to Counterweight	12 046 mm	39'7"	12 046 mm	39'7"
23 Clearance Circle (diameter) to Outside of Tires	12 002 mm	39'5"	12 002 mm	39'5"
24 Clearance Circle (diameter) to Inside of Tires	6465 mm	21'3"	6465 mm	21'3"
25 Width over Tires (unloaded)	2814 mm	9'3"	2814 mm	9'3"
Width over Tires (loaded)	2822 mm	9'3"	2822 mm	9'3"
26 Tread Width	2140 mm	7'0"	2140 mm	7'0"

*With 3.1 m³ (4.1 yd³) general purpose pin on bucket with BOCE (see Operating Specifications for other Buckets).

†Dimensions are listed in Operating Specification charts.

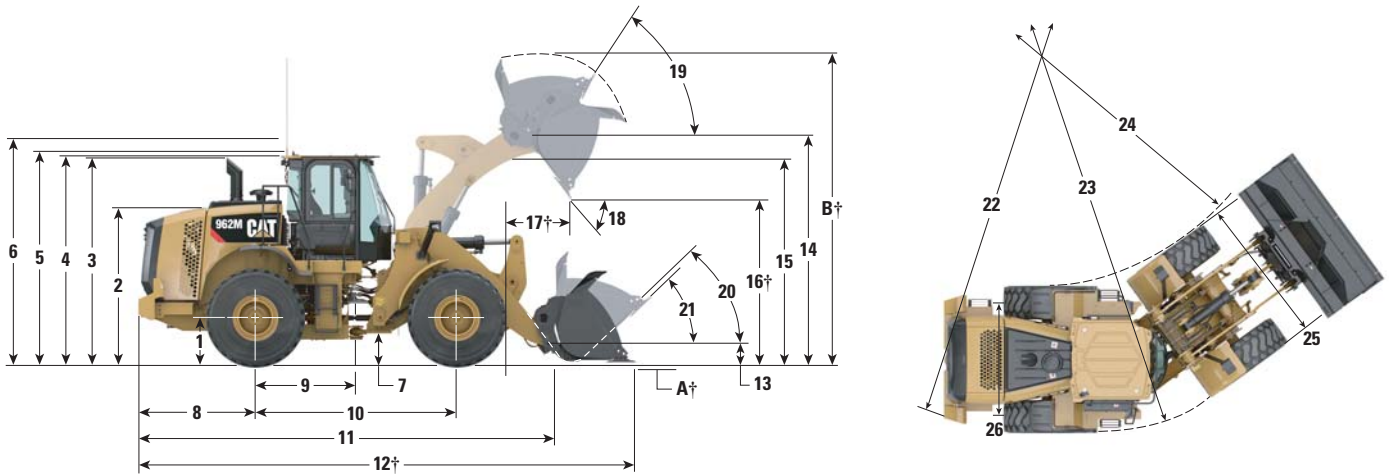
All height and tire related dimensions are with Michelin 23.5R25 XHA2 L3 radial tires (see Tire Option Chart for other tires).

“Width Over Tires” dimensions are over the bulge and include growth.

950M/962M Wheel Loaders Specifications

962M Dimensions

All dimensions are approximate.



	Standard Lift		High Lift	
1 Height to Axle Centerline	747 mm	2'5"	747 mm	2'5"
2 Height to Top of Hood	2675 mm	8'9"	2675 mm	8'9"
3 Height to Top of Exhaust Pipe	3424 mm	11'3"	3424 mm	11'3"
4 Height to Top of ROPS	3443 mm	11'4"	3443 mm	11'4"
5 Height to Top of Product Link Antenna	3653 mm	12'0"	3653 mm	12'0"
6 Height to Top of Warning Beacon	3747 mm	12'4"	3747 mm	12'4"
7 Ground Clearance	382 mm	1'3"	382 mm	1'3"
8 Center Line of Rear Axle to Edge of Counterweight	2147 mm	7'1"	2147 mm	7'1"
9 Center Line of Rear Axle to Hitch	1675 mm	5'6"	1675 mm	5'6"
10 Wheelbase	3350 mm	11'0"	3350 mm	11'0"
11 Overall Length (without bucket)	7228 mm	23'9"	7228 mm	23'9"
12 Shipping Length (with bucket level on ground)*†	8573 mm	28'2"	8945 mm	29'4"
13 Hinge Pin Height at Carry Height	669 mm	2'2"	779 mm	2'7"
14 Hinge Pin Height at Maximum Lift	4235 mm	13'11"	4524 mm	14'10"
15 Lift Arm Clearance at Maximum Lift	3575 mm	11'8"	3737 mm	12'3"
16 Dump Clearance at Maximum Lift and 45° Discharge*†	3055 mm	10'0"	3343 mm	10'11"
17 Reach at Maximum Lift and 45° Discharge*†	1392 mm	4'6"	1494 mm	4'11"
18 Dump Angle at Maximum Lift and Dump (on stops)*	49 degrees		47 degrees	
19 Rack Back at Maximum Lift*	59 degrees		59 degrees	
20 Rack Back at Carry Height*	49 degrees		49 degrees	
21 Rack Back at Ground*	37 degrees		37 degrees	
22 Clearance Circle (diameter) to Counterweight	12 044 mm	39'7"	12 128 mm	39'9"
23 Clearance Circle (diameter) to Outside of Tires	12 002 mm	39'5"	12 002 mm	39'5"
24 Clearance Circle (diameter) to Inside of Tires	6465 mm	21'3"	6465 mm	21'3"
25 Width over Tires (unloaded)	2821 mm	9'3"	2821 mm	9'3"
Width over Tires (loaded)	2824 mm	9'3"	2824 mm	9'3"
26 Tread Width	2140 mm	7'0"	2140 mm	7'0"

*With 3.3 m³ (4.3 yd³) general purpose pin on bucket with BOCE (see Operating Specifications for other Buckets).

†Dimensions are listed in Operating Specification charts.

All height and tire related dimensions are with Michelin 23.5R25 XHA2 L3 radial tires (see Tire Option Chart for other tires).

“Width Over Tires” dimensions are over the bulge and include growth.

950M/962M Wheel Loaders Specifications

950M Tire Options

Tire Brand	Michelin	Bridgestone	Goodyear	Bridgestone	Bridgestone	Michelin	Bridgestone
Tire Size	23.5R25	23.5R25	23.5R25	23.5-25	23.5R25	750/65R25	23.5-25
Tread Type	L-3	L-3	L-3	L-3	L-3	L-3	L-3
Tread Pattern	XHA2	VMT	RT-3B	SRG LD	VJT	XLD	VL2
Width over Tires – Maximum (empty)*	2814 mm 9'2"	2805 mm 9'2"	2835 mm 9'4"	2768 mm 9'1"	2798 mm 9'2"	2948 mm 9'8"	2769 mm 9'1"
Width over Tires – Maximum (loaded)*	2822 mm 9'3"	2834 mm 9'4"	2846 mm 9'4"	2795 mm 9'2"	2831 mm 9'3"	2965 mm 9'9"	2782 mm 9'2"
Change in Vertical Dimensions (average of front and rear)	0 mm 0"	-3 mm -0.1"	-1 mm 0"	1 mm 0"	-6 mm -0.2"	-6 mm -0.2"	14 mm 0.6"
Change in Horizontal Reach	0 mm 0"	6 mm 0.2"	3 mm 0.1"	-16 mm -0.6"	6 mm 0.2"	11 mm 0.4"	3 mm 0.1"
Change in Clearance Circle to Outside of Tires	0 mm 0"	12 mm 0.5"	24 mm 1"	-27 mm -1.1"	9 mm 0.4"	143 mm 5.6"	-40 mm -1.6"
Change in Clearance Circle to Inside of Tires	0 mm 0"	-12 mm -0.5"	-24 mm -1"	27 mm 1.1"	-9 mm -0.4"	-143 mm -5.6"	40 mm 1.6"
Change in Operating Weight (without Ballast)	0 kg 0 lb	188 kg 414 lb	127 kg 280 lb	-248 kg -547 lb	168 kg 370 lb	801 kg 1,766 lb	-100 kg -220 lb

*Width over bulge and includes tire growth.

Changes Specific to the 950M

Tire Brand	Michelin	Bridgestone	Goodyear	Bridgestone	Bridgestone	Michelin	Bridgestone
Tire Size	23.5R25	23.5R25	23.5R25	23.5-25	23.5R25	750/65R25	23.5-25
Tread Type	L-3	L-3	L-3	L-3	L-3	L-3	L-3
Tread Pattern	XHA2	VMT	RT-3B	SRG LD	VJT	XLD	VL2
Change in Static Tipping Load – Straight	0 kg 0 lb	125 kg 276 lb	85 kg 187 lb	-165 kg -364 lb	112 kg 247 lb	534 kg 1,177 lb	-67 kg -148 lb
Change in Static Tipping Load – Articulated	0 kg 0 lb	109 kg 240 lb	74 kg 163 lb	-144 kg -317 lb	98 kg 216 lb	466 kg 1,027 lb	-58 kg -128 lb

950M/962M Wheel Loaders Specifications

962M Tire Options

Tire Brand	Michelin	Bridgestone	Goodyear	Bridgestone	Bridgestone	Michelin	Bridgestone
Tire Size	23.5R25	23.5R25	23.5R25	23.5-25	23.5R25	750/65R25	23.5-25
Tread Type	L-3	L-3	L-3	L-3	L-3	L-3	L-3
Tread Pattern	XHA2	VMT	RT-3B	SRG LD	VJT	XLD	VL2
Width over Tires – Maximum (empty)*	2821 mm 9'3"	2810 mm 9'3"	2840 mm 9'4"	2768 mm 9'1"	2809 mm 9'3"	2954 mm 9'8"	2771 mm 9'1"
Width over Tires – Maximum (loaded)*	2824 mm 9'3"	2835 mm 9'4"	2847 mm 9'4"	2797 mm 9'2"	2832 mm 9'3"	2967 mm 9'9"	2784 mm 9'2"
Change in Vertical Dimensions (average of front and rear)	0 mm 0"	-2 mm -0.1"	1 mm 0"	1 mm 0"	-6 mm -0.2"	-6 mm -0.2"	16 mm 0.6"
Change in Horizontal Reach	0 mm 0"	6 mm 0.2"	3 mm 0.1"	-16 mm -0.6"	6 mm 0.2"	11 mm 0.4"	3 mm 0.1"
Change in Clearance Circle to Outside of Tires	0 mm 0"	12 mm 0.5"	23 mm 0.9"	-27 mm -1.1"	9 mm 0.4"	143 mm 5.6"	-40 mm -1.6"
Change in Clearance Circle to Inside of Tires	0 mm 0"	-12 mm -0.5"	-23 mm -0.9"	27 mm 1.1"	-9 mm -0.4"	-143 mm -5.6"	40 mm 1.6"
Change in Operating Weight (without Ballast)	0 kg 0 lb	188 kg 414 lb	127 kg 280 lb	-248 kg -547 lb	168 kg 370 lb	801 kg 1,766 lb	-100 kg -220 lb

*Width over bulge and includes tire growth.

Changes Specific to the 962M

Tire Brand	Michelin	Bridgestone	Goodyear	Bridgestone	Bridgestone	Michelin	Bridgestone
Tire Size	23.5R25	23.5R25	23.5R25	23.5-25	23.5R25	750/65R25	23.5-25
Tread Type	L-3	L-3	L-3	L-3	L-3	L-3	L-3
Tread Pattern	XHA2	VMT	RT-3B	SRG LD	VJT	XLD	VL2
Change in Static Tipping Load – Straight	0 kg 0 lb	119 kg 262 lb	81 kg 179 lb	-157 kg -346 lb	106 kg 234 lb	507 kg 1,118 lb	-63 kg -139 lb
Change in Static Tipping Load – Articulated	0 kg 0 lb	104 kg 229 lb	70 kg 154 lb	-137 kg -302 lb	93 kg 205 lb	442 kg 974 lb	-55 kg -121 lb

950M/962M Wheel Loaders Specifications

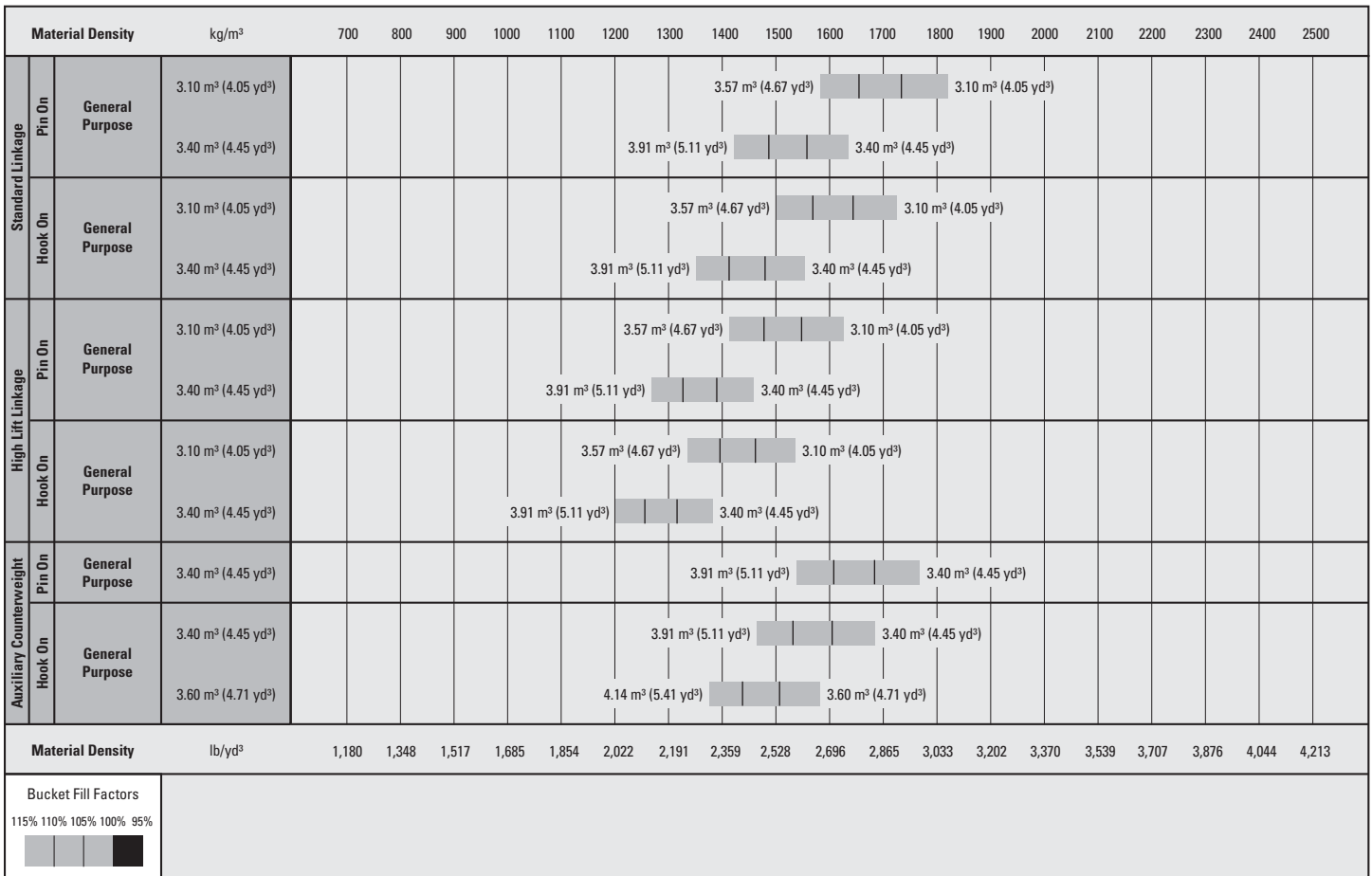
950M Bucket Fill Factors and Selection Chart

The bucket size must be chosen based on the density of the material and on the expected fill factor. The new Cat Performance Series Buckets with longer floor, larger bucket opening, increased repository angle, rounded side boards and integrated spill guard, demonstrate fill factors significantly higher than previous generation or non Cat buckets. The actual volume handled by the machine is thus often larger than the rated capacity.

Loose Material		Material Density	Fill Factor (%)*
Earth/Clay		1500-1700 kg/m ³ (2,528-2,865 lb/yd ³)	115
Sand and Gravel		1500-1700 kg/m ³ (2,528-2,865 lb/yd ³)	115
Aggregate:	25-76 mm (1 to 3 in)	1600-1700 kg/m ³ (2,696-2,865 lb/yd ³)	110
	19 mm (0.75 in) and smaller	1800 kg/m ³ (3,033 lb/yd ³)	105
Rock:	76 mm (3 in) and larger	1600 kg/m ³ (2,696 lb/yd ³)	100

*As a % of ISO rated capacity.

Note: Fill Factors achieved will also depend on whether the product is washed or not washed.



Note: All buckets are showing Bolt-On Edges.

950M/962M Wheel Loaders Specifications

950M Operating Specifications with Buckets

Linkage		Standard Linkage						High Lift Linkage Change**
Bucket Type		General Purpose – Pin On						
Edge Type		Bolt-On Cutting Edges	Teeth and Segments	Tips	Bolt-On Cutting Edges	Teeth and Segments	Tips	
Capacity – Rated	m ³	3.10	3.10	2.90	3.40	3.40	3.20	—
	yd ³	4.05	4.05	3.79	4.45	4.45	4.19	—
Capacity – Rated at 110% Fill Factor	m ³	3.41	3.41	3.19	3.74	3.74	3.52	—
	yd ³	4.46	4.46	4.17	4.89	4.89	4.60	—
Width	mm	2927	2994	2994	2927	2994	2994	—
	ft/in	9'7"	9'9"	9'9"	9'7"	9'9"	9'9"	—
16† Dump Clearance at Maximum Lift and 45° Discharge	mm	2876	2758	2758	2819	2700	2700	505
	ft/in	9'5"	9'0"	9'0"	9'3"	8'10"	8'10"	1'7"
17† Reach at Maximum Lift and 45° Discharge	mm	1429	1540	1540	1473	1582	1582	35
	ft/in	4'8"	5'0"	5'0"	4'10"	5'2"	5'2"	1"
Reach at Level Lift Arm and Bucket Level	mm	2688	2849	2849	2761	2922	2922	374
	ft/in	8'9"	9'4"	9'4"	9'0"	9'7"	9'7"	1'2"
A† Digging Depth	mm	90	90	60	90	90	60	4
	in	3.5"	3.5"	2.3"	3.5"	3.5"	2.3"	0.1"
12† Overall Length	mm	8199	8372	8372	8272	8445	8445	583
	ft/in	26'11"	27'6"	27'6"	27'2"	27'9"	27'9"	1'11"
B† Overall Height with Bucket at Maximum Lift	mm	5525	5525	5525	5597	5597	5597	506
	ft/in	18'2"	18'2"	18'2"	18'5"	18'5"	18'5"	1'8"
Loader Clearance Circle with Bucket at Carry Position	mm	13 762	13 931	13 931	13 805	13 975	13 975	393
	ft/in	45'2"	45'9"	45'9"	45'4"	45'11"	45'11"	1'4"
Static Tipping Load, Straight (With Tire Deflection)*	kg	12 769	12 629	12 912	12 605	12 463	12 742	-1277
	lb	28,144	27,834	28,458	27,783	27,469	28,083	-2,814
Static Tipping Load, Straight (No Tire Deflection)*	kg	13 510	13 368	13 658	13 349	13 205	13 491	-1436
	lb	29,776	29,463	30,103	29,421	29,105	29,734	-3,165
Static Tipping Load, Articulated (With Tire Deflection)*	kg	11 004	10 864	11 129	10 847	10 705	10 966	-1184
	lb	24,254	23,944	24,529	23,908	23,594	24,169	-2,610
Static Tipping Load, Articulated (No Tire Deflection)*	kg	11 759	11 617	11 889	11 605	11 461	11 728	-1333
	lb	25,917	25,604	26,203	25,577	25,260	25,849	-2,939
Breakout Force	kN	181	179	196	170	169	184	-9
	lbf	40,706	40,421	44,216	38,333	38,050	41,455	-2,026
Operating Weight*	kg	19 214	19 322	19 165	19 307	19 415	19 258	603
	lb	42,346	42,584	42,238	42,552	42,790	42,444	1,328

*Static tipping loads and operating weights shown are based on a machine configuration with Michelin 23.5R25 XHA2 L3 radial tires, full fluids, operator, standard counterweight, cold start, roading fenders, Product Link, manual diff lock/open axles (front/rear), power train guard, secondary steering and sound suppression.

**Maximum values.

(With Tire Deflection) Full compliance to ISO 14397-1 (2007) Sections 1 thru 6, which requires 2% verification between calculations and testing.

(No Tire Deflection) Compliance to ISO 14397-1 (2007) Sections 1 thru 5.

†Illustration shown with Dimension charts.

Other buckets are available and offerings vary by region. Consult your local Cat dealer for further details.

950M/962M Wheel Loaders Specifications

950M Operating Specifications with Buckets

Linkage		Standard Linkage						High Lift Linkage Change**
Bucket Type		General Purpose – Hook On						
Edge Type		Bolt-On Cutting Edges	Teeth and Segments	Tips	Bolt-On Cutting Edges	Teeth and Segments	Tips	
Capacity – Rated	m ³	3.10	3.10	2.90	3.40	3.40	3.20	—
	yd ³	4.05	4.05	3.79	4.45	4.45	4.19	—
Capacity – Rated at 110% Fill Factor	m ³	3.41	3.41	3.19	3.74	3.74	3.52	—
	yd ³	4.46	4.46	4.17	4.89	4.89	4.60	—
Width	mm	2927	2994	2994	2927	2994	2994	—
	ft/in	9'7"	9'9"	9'9"	9'7"	9'9"	9'9"	—
16 † Dump Clearance at Maximum Lift and 45° Discharge	mm	2837	2718	2718	2779	2660	2660	505
	ft/in	9'3"	8'11"	8'11"	9'1"	8'8"	8'8"	1'7"
17 † Reach at Maximum Lift and 45° Discharge	mm	1475	1585	1585	1518	1627	1627	35
	ft/in	4'10"	5'2"	5'2"	4'11"	5'4"	5'4"	1"
Reach at Level Lift Arm and Bucket Level	mm	2748	2909	2909	2821	2982	2982	374
	ft/in	9'0"	9'6"	9'6"	9'3"	9'9"	9'9"	1'2"
A † Digging Depth	mm	90	90	60	90	90	60	4
	in	3.5"	3.5"	2.3"	3.5"	3.5"	2.3"	0.1"
12 † Overall Length	mm	8259	8432	8432	8332	8505	8505	583
	ft/in	27'2"	27'8"	27'8"	27'5"	27'11"	27'11"	1'11"
B † Overall Height with Bucket at Maximum Lift	mm	5558	5558	5558	5630	5630	5630	506
	ft/in	18'3"	18'3"	18'3"	18'6"	18'6"	18'6"	1'8"
Loader Clearance Circle with Bucket at Carry Position	mm	13 789	13 961	13 961	13 833	14 006	14 006	393
	ft/in	45'3"	45'10"	45'10"	45'5"	46'0"	46'0"	1'4"
Static Tipping Load, Straight (With Tire Deflection)*	kg	12 183	12 043	12 373	12 051	11 909	12 237	-1277
	lb	26,853	26,544	27,271	26,561	26,249	26,971	-2,814
Static Tipping Load, Straight (No Tire Deflection)*	kg	12 913	12 771	13 113	12 784	12 641	12 981	-1436
	lb	28,461	28,148	28,902	28,176	27,860	28,610	-3,165
Static Tipping Load, Articulated (With Tire Deflection)*	kg	10 445	10 305	10 617	10 319	10 178	10 488	-1184
	lb	23,022	22,713	23,400	22,744	22,432	23,116	-2,610
Static Tipping Load, Articulated (No Tire Deflection)*	kg	11 189	11 047	11 371	11 066	10 923	11 245	-1333
	lb	24,661	24,349	25,063	24,391	24,075	24,785	-2,939
Breakout Force	kN	172	171	186	162	161	175	-9
	lbf	38,754	38,471	41,942	36,598	36,318	39,451	-2,026
Operating Weight*	kg	19 683	19 791	19 634	19 753	19 861	19 704	603
	lb	43,382	43,620	43,274	43,536	43,774	43,428	1,328

*Static tipping loads and operating weights shown are based on a machine configuration with Michelin 23.5R25 XHA2 L3 radial tires, full fluids, operator, standard counterweight, cold start, roading fenders, Product Link, manual diff lock/open axles (front/rear), power train guard, secondary steering and sound suppression.

**Maximum values.

(With Tire Deflection) Full compliance to ISO 14397-1 (2007) Sections 1 thru 6, which requires 2% verification between calculations and testing.

(No Tire Deflection) Compliance to ISO 14397-1 (2007) Sections 1 thru 5.

†Illustration shown with Dimension charts.

Other buckets are available and offerings vary by region. Consult your local Cat dealer for further details.

950M/962M Wheel Loaders Specifications

950M Operating Specifications with Buckets – Auxiliary Counterweight

Package		Auxiliary Counterweight		
Bucket Type		General Purpose – Pin On	General Purpose – Hook On	
Edge Type		Bolt-On Cutting Edges	Bolt-On Cutting Edges	Bolt-On Cutting Edges
Capacity – Rated	m ³	3.40	3.40	3.60
	yd ³	4.45	4.45	4.71
Capacity – Rated at 110% Fill Factor	m ³	3.74	3.74	3.96
	yd ³	4.89	4.89	5.18
Width	mm	2927	2927	2927
	ft/in	9'7"	9'7"	9'7"
16 † Dump Clearance at Maximum Lift and 45° Discharge	mm	2819	2779	2753
	ft/in	9'3"	9'1"	9'0"
17 † Reach at Maximum Lift and 45° Discharge	mm	1473	1518	1539
	ft/in	4'10"	4'11"	5'0"
Reach at Level Lift Arm and Bucket Level	mm	2761	2821	2856
	ft/in	9'0"	9'3"	9'4"
A † Digging Depth	mm	90	90	90
	in	3.5"	3.5"	3.5"
12 † Overall Length	mm	8401	8461	8496
	ft/in	27'7"	27'10"	27'11"
B † Overall Height with Bucket at Maximum Lift	mm	5597	5630	5664
	ft/in	18'5"	18'6"	18'7"
Loader Clearance Circle with Bucket at Carry Position	mm	13 805	13 833	13 854
	ft/in	45'4"	45'5"	45'6"
Static Tipping Load, Straight (With Tire Deflection)*	kg	13 644	13 074	13 006
	lb	30,072	28,815	28,666
Static Tipping Load, Straight (No Tire Deflection)*	kg	14 462	13 880	13 814
	lb	31,874	30,592	30,446
Static Tipping Load, Articulated (With Tire Deflection)*	kg	11 704	11 163	11 099
	lb	25,797	24,604	24,462
Static Tipping Load, Articulated (No Tire Deflection)*	kg	12 541	11 988	11 926
	lb	27,640	26,422	26,285
Breakout Force	kN	170	162	158
	lbf	38,333	36,598	35,639
Operating Weight*	kg	19 807	20 253	20 287
	lb	43,654	44,638	44,713

*Static tipping loads and operating weights shown are based on a machine configuration with Michelin 23.5R25 XHA2 L3 radial tires, full fluids, operator, standard counterweight, cold start, roading fenders, Product Link, manual diff lock/open axles (front/rear), power train guard, secondary steering and sound suppression.

(With Tire Deflection) Full compliance to ISO 14397-1 (2007) Sections 1 thru 6, which requires 2% verification between calculations and testing.

(No Tire Deflection) Compliance to ISO 14397-1 (2007) Sections 1 thru 5.

†Illustration shown with Dimension charts.

Other buckets are available and offerings vary by region. Consult your local Cat dealer for further details.

950M/962M Wheel Loaders Specifications

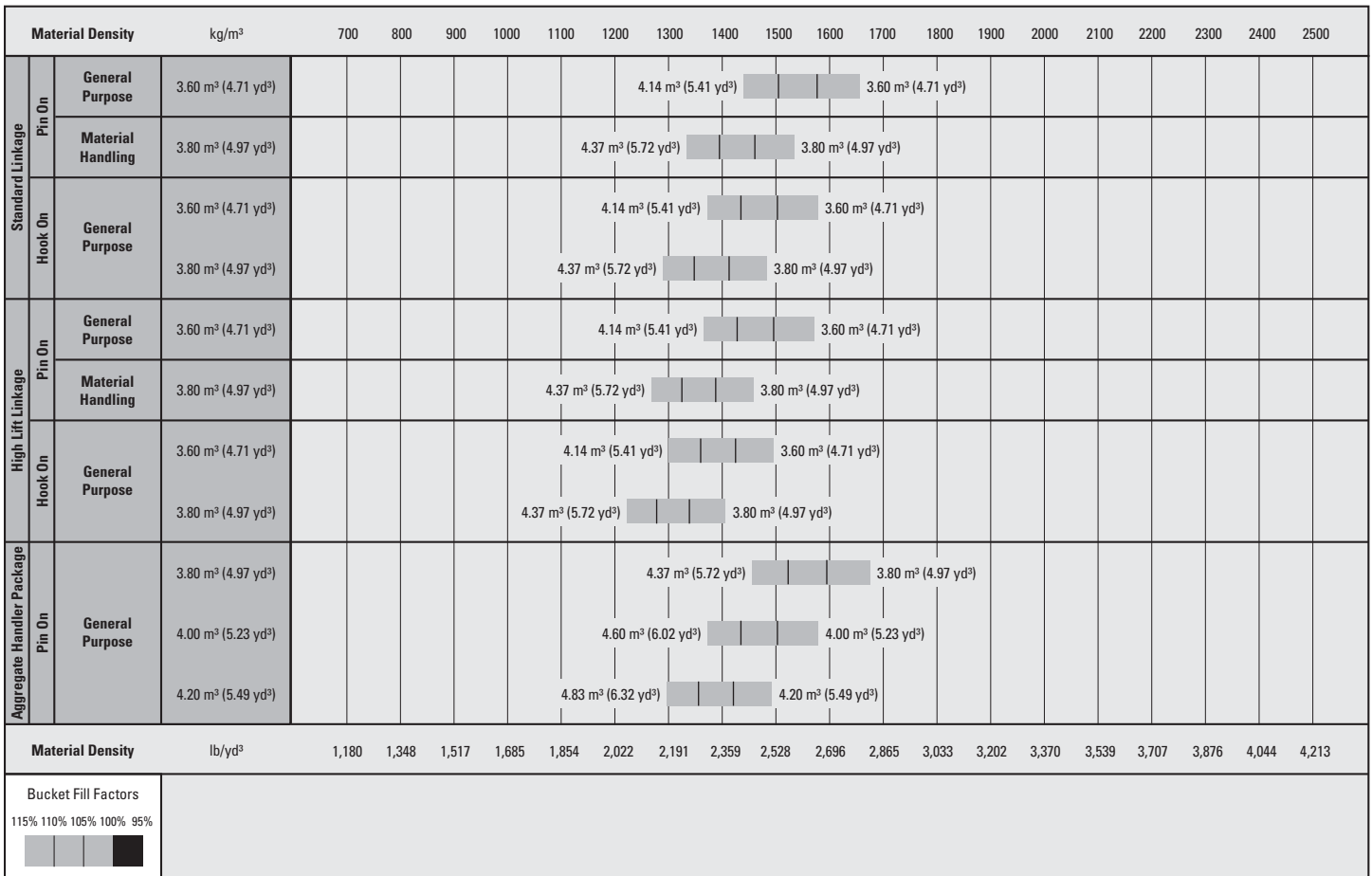
962M Bucket Fill Factors and Selection Chart

The bucket size must be chosen based on the density of the material and on the expected fill factor. The new Cat Performance Series Buckets with longer floor, larger bucket opening, increased repository angle, rounded side boards and integrated spill guard, demonstrate fill factors significantly higher than previous generation or non Cat buckets. The actual volume handled by the machine is thus often larger than the rated capacity.

Loose Material		Material Density	Fill Factor (%)*
Earth/Clay		1500-1700 kg/m ³ (2,528-2,865 lb/yd ³)	115
Sand and Gravel		1500-1700 kg/m ³ (2,528-2,865 lb/yd ³)	115
Aggregate:	25-76 mm (1 to 3 in)	1600-1700 kg/m ³ (2,696-2,865 lb/yd ³)	110
	19 mm (0.75 in) and smaller	1800 kg/m ³ (3,033 lb/yd ³)	105
Rock:	76 mm (3 in) and larger	1600 kg/m ³ (2,696 lb/yd ³)	100

*As a % of ISO rated capacity.

Note: Fill Factors achieved will also depend on whether the product is washed or not washed.



Note: All buckets are showing Bolt-On Edges.

950M/962M Wheel Loaders Specifications

962M Operating Specifications with Buckets

Linkage		Standard Linkage						High Lift Linkage Change**
Bucket Type		General Purpose – Pin On			Material Handling – Pin On			
Edge Type		Bolt-On Cutting Edges	Teeth and Segments	Tips	Bolt-On Cutting Edges	Teeth and Segments	Tips	
Capacity – Rated	m ³	3.60	3.60	3.40	3.80	3.80	3.60	—
	yd ³	4.71	4.71	4.45	4.97	4.97	4.71	—
Capacity – Rated at 110% Fill Factor	m ³	3.96	3.96	3.74	4.18	4.18	3.96	—
	yd ³	5.18	5.18	4.89	5.47	5.47	5.18	—
Width	mm	2927	2994	2994	2927	2994	2994	—
	ft/in	9'7"	9'9"	9'9"	9'7"	9'9"	9'9"	—
16 † Dump Clearance at Maximum Lift and 45° Discharge	mm	3010	2890	2890	2910	2785	2785	288
	ft/in	9'10"	9'5"	9'5"	9'6"	9'1"	9'1"	11"
17 † Reach at Maximum Lift and 45° Discharge	mm	1428	1537	1537	1408	1510	1510	101
	ft/in	4'8"	5'0"	5'0"	4'7"	4'11"	4'11"	4"
Reach at Level Lift Arm and Bucket Level	mm	2894	3055	3055	2965	3126	3126	277
	ft/in	9'5"	10'0"	10'0"	9'8"	10'3"	10'3"	10"
A † Digging Depth	mm	88	88	58	88	88	58	5
	in	3.5"	3.5"	2.3"	3.5"	3.5"	2.3"	0.2"
12 † Overall Length	mm	8633	8805	8805	8704	8876	8876	372
	ft/in	28'4"	28'11"	28'11"	28'7"	29'2"	29'2"	1'3"
B † Overall Height with Bucket at Maximum Lift	mm	5847	5847	5847	5879	5879	5879	289
	ft/in	19'3"	19'3"	19'3"	19'4"	19'4"	19'4"	12"
Loader Clearance Circle with Bucket at Carry Position	mm	13 924	14 095	14 095	13 967	14 139	14 139	308
	ft/in	45'9"	46'3"	46'3"	45'10"	46'5"	46'5"	1'1"
Static Tipping Load, Straight (With Tire Deflection)*	kg	13 555	13 414	13 699	13 275	13 134	13 407	-630
	lb	29,877	29,565	30,193	29,258	28,947	29,550	-1,389
Static Tipping Load, Straight (No Tire Deflection)*	kg	14 299	14 156	14 448	14 002	13 860	14 139	-722
	lb	31,516	31,201	31,845	30,861	30,547	31,162	-1,591
Static Tipping Load, Articulated (With Tire Deflection)*	kg	11 594	11 452	11 718	11 342	11 201	11 456	-611
	lb	25,553	25,241	25,828	24,998	24,687	25,250	-1,348
Static Tipping Load, Articulated (No Tire Deflection)*	kg	12 359	12 216	12 488	12 091	11 948	12 209	-694
	lb	27,239	26,924	27,524	26,649	26,335	26,909	-1,530
Breakout Force	kN	180	179	195	170	169	184	-1
	lbf	40,547	40,311	43,810	38,410	38,174	41,351	-320
Operating Weight*	kg	20 287	20 395	20 238	20 350	20 458	20 301	593
	lb	44,712	44,950	44,604	44,851	45,089	44,743	1,306

*Static tipping loads and operating weights shown are based on a machine configuration with Michelin 23.5R25 XHA2 L3 radial tires, full fluids, operator, standard counterweight, cold start, roading fenders, Product Link, manual diff lock/open axles (front/rear), power train guard, secondary steering and sound suppression.

**Maximum values.

(With Tire Deflection) Full compliance to ISO 14397-1 (2007) Sections 1 thru 6, which requires 2% verification between calculations and testing.

(No Tire Deflection) Compliance to ISO 14397-1 (2007) Sections 1 thru 5.

†Illustration shown with Dimension charts.

Other buckets are available and offerings vary by region. Consult your local Cat dealer for further details.

950M/962M Wheel Loaders Specifications

962M Operating Specifications with Buckets

Linkage		Standard Linkage						High Lift Linkage Change**
Bucket Type		General Purpose – Hook On						
Edge Type		Bolt-On Cutting Edges	Teeth and Segments	Tips	Bolt-On Cutting Edges	Teeth and Segments	Tips	
Capacity – Rated	m ³	3.60	3.60	3.40	3.80	3.80	3.60	—
	yd ³	4.71	4.71	4.45	4.97	4.97	4.71	—
Capacity – Rated at 110% Fill Factor	m ³	3.96	3.96	3.74	4.18	4.18	3.96	—
	yd ³	5.18	5.18	4.89	5.47	5.47	5.18	—
Width	mm	2927	2994	2994	2927	2994	2994	—
	ft/in	9'7"	9'9"	9'9"	9'7"	9'9"	9'9"	—
16 † Dump Clearance at Maximum Lift and 45° Discharge	mm	2970	2850	2850	2935	2815	2815	288
	ft/in	9'8"	9'4"	9'4"	9'7"	9'2"	9'2"	11"
17 † Reach at Maximum Lift and 45° Discharge	mm	1473	1582	1582	1502	1611	1611	101
	ft/in	4'10"	5'2"	5'2"	4'11"	5'3"	5'3"	4"
Reach at Level Lift Arm and Bucket Level	mm	2954	3115	3115	3000	3161	3161	277
	ft/in	9'8"	10'2"	10'2"	9'10"	10'4"	10'4"	10"
A † Digging Depth	mm	88	88	58	88	88	58	5
	in	3.5"	3.5"	2.3"	3.5"	3.5"	2.3"	0.2"
12 † Overall Length	mm	8693	8865	8865	8739	8911	8911	372
	ft/in	28'7"	29'2"	29'2"	28'9"	29'3"	29'3"	1'3"
B † Overall Height with Bucket at Maximum Lift	mm	5881	5881	5881	5928	5928	5928	289
	ft/in	19'4"	19'4"	19'4"	19'6"	19'6"	19'6"	12"
Loader Clearance Circle with Bucket at Carry Position	mm	13 953	14 127	14 127	13 982	14 157	14 157	308
	ft/in	45'10"	46'5"	46'5"	45'11"	46'6"	46'6"	1'1"
Static Tipping Load, Straight (With Tire Deflection)*	kg	12 991	12 850	13 182	12 899	12 757	13 088	-630
	lb	28,632	28,321	29,054	28,429	28,117	28,847	-1,389
Static Tipping Load, Straight (No Tire Deflection)*	kg	13 724	13 582	13 926	13 634	13 490	13 834	-722
	lb	30,248	29,935	30,693	30,049	29,734	30,490	-1,591
Static Tipping Load, Articulated (With Tire Deflection)*	kg	11 058	10 917	11 231	10 971	10 829	11 142	-611
	lb	24,373	24,062	24,753	24,181	23,869	24,558	-1,348
Static Tipping Load, Articulated (No Tire Deflection)*	kg	11 813	11 671	11 996	11 728	11 585	11 909	-694
	lb	26,036	25,722	26,439	25,849	25,533	26,248	-1,530
Breakout Force	kN	172	171	185	166	165	179	-1
	lbf	38,763	38,528	41,754	37,471	37,236	40,274	-320
Operating Weight*	kg	20 731	20 839	20 682	20 776	20 884	20 727	593
	lb	45,690	45,928	45,582	45,789	46,027	45,681	1,306

*Static tipping loads and operating weights shown are based on a machine configuration with Michelin 23.5R25 XHA2 L3 radial tires, full fluids, operator, standard counterweight, cold start, roading fenders, Product Link, manual diff lock/open axles (front/rear), power train guard, secondary steering and sound suppression.

**Maximum values.

(With Tire Deflection) Full compliance to ISO 14397-1 (2007) Sections 1 thru 6, which requires 2% verification between calculations and testing.

(No Tire Deflection) Compliance to ISO 14397-1 (2007) Sections 1 thru 5.

†Illustration shown with Dimension charts.

Other buckets are available and offerings vary by region. Consult your local Cat dealer for further details.

950M/962M Wheel Loaders Specifications

962M Operating Specifications with Buckets – Aggregate Handler

Package		Aggregate Handler**		
Bucket Type		General Purpose – Pin On		
Edge Type		Bolt-On Cutting Edges	Bolt-On Cutting Edges	Bolt-On Cutting Edges
Capacity – Rated	m ³	3.80	4.00	4.20
	yd ³	4.97	5.23	5.49
Capacity – Rated at 110% Fill Factor	m ³	4.18	4.40	4.62
	yd ³	5.47	5.75	6.04
Width	mm	2994	2994	2994
	ft/in	9'9"	9'9"	9'9"
16† Dump Clearance at Maximum Lift and 45° Discharge	mm	2992	2962	2929
	ft/in	9'9"	9'8"	9'7"
17† Reach at Maximum Lift and 45° Discharge	mm	1440	1466	1496
	ft/in	4'8"	4'9"	4'10"
Reach at Level Lift Arm and Bucket Level	mm	2916	2956	3001
	ft/in	9'6"	9'8"	9'10"
A† Digging Depth	mm	88	88	88
	in	3.5"	3.5"	3.5"
12† Overall Length	mm	8694	8734	8779
	ft/in	28'7"	28'8"	28'10"
B† Overall Height with Bucket at Maximum Lift	mm	5897	5937	5984
	ft/in	19'5"	19'6"	19'8"
Loader Clearance Circle with Bucket at Carry Position	mm	13 997	14 021	14 049
	ft/in	46'0"	46'0"	46'2"
Static Tipping Load, Straight (With Tire Deflection)*	kg	14 514	14 412	14 314
	lb	31,989	31,764	31,548
Static Tipping Load, Straight (No Tire Deflection)*	kg	15 338	15 237	15 141
	lb	33,805	33,584	33,372
Static Tipping Load, Articulated (With Tire Deflection)*	kg	12 359	12 262	12 170
	lb	27,239	27,027	26,823
Static Tipping Load, Articulated (No Tire Deflection)*	kg	13 211	13 116	13 026
	lb	29,117	28,908	28,709
Breakout Force	kN	176	171	165
	lbf	39,704	38,496	37,233
Operating Weight*	kg	20 984	21 038	21 084
	lb	46,249	46,368	46,469

*Static tipping loads and operating weights shown are based on a machine configuration with Michelin 23.5R25 XHA2 L3 radial tires, full fluids, operator, standard counterweight, cold start, roading fenders, Product Link, manual diff lock/open axles (front/rear), power train guard, secondary steering and sound suppression.

**Aggregate Handler configuration is not compatible with teeth and segments, tips, rock buckets, high lift, L5 tires.

(With Tire Deflection) Full compliance to ISO 14397-1 (2007) Sections 1 thru 6, which requires 2% verification between calculations and testing.

(No Tire Deflection) Compliance to ISO 14397-1 (2007) Sections 1 thru 5.

†Illustration shown with Dimension charts.

Other buckets are available and offerings vary by region. Consult your local Cat dealer for further details.

950M/962M Standard Equipment

Standard Equipment

Standard equipment may vary. Consult your Cat dealer for details.

OPERATOR ENVIRONMENT

- Cab, pressurized and sound suppressed (ROPS/FOPS)
- Viscous mounts
- Multi-function 18 cm (7 in) color LCD touch-screen display for rear vision camera image display (reverse travel activated) and machine status, setting and health parameters
- EH controls, SAL (single axis lever) lift and tilt function
- Steering, steering wheel
- Radio ready (entertainment) includes antenna, speakers and converter (12V, 10-amp)
- Air conditioner, heater, and defroster (auto temp and fan)
- EH parking brake
- Beverage holders (2) with storage compartment for cell phone/MP3 player
- Bucket/work tool function lockout
- Coat hook (2)
- Cab air filter
- Ergonomic cab access ladders and handrails
- Horn, electric
- Light, two dome (cab)
- Mirrors, rearview external with integrated spot mirrors
- Post mounted membrane 16 switch keypad
- 2 receptacles, 12V
- Seat, Cat Comfort (cloth) air suspension
- Seat belt, 51 mm (2 in) retractable, with indicator
- Sun visor, front
- Wet-arm wipers/washers front and rear, intermittent front wiper
- Window, sliding (left and right sides)
- Cab tie-off

COMPUTERIZED MONITORING SYSTEM

- With following gauges:
 - Speedometer/tachometer
 - Digital gear range indicator
 - Diesel Exhaust Fluid (DEF) level
 - Temperature: engine coolant, hydraulic oil, transmission oil
 - Fuel level

- With following warning indicators:
 - Regeneration
 - Temperature: axle oil, engine intake manifold
 - Pressure: engine oil, fuel pressure hi/low, primary steering oil, service brake oil
 - Battery voltage hi/low
 - Engine air filter restriction
 - Hydraulic oil filter restriction
 - Hydraulic oil low
 - Parking brake
 - DEF low level
 - Transmission filter bypass

ELECTRICAL AND LIGHTING

- Batteries (2), maintenance free 1,400 CCA
- Ignition key; start/stop switch
- Starter, electric, heavy duty
- Starting and charging system (24V)
- Lighting system:
 - Four halogen work lights (cab mounted)
 - Two LED stop, turn, tail lights
 - Two halogen roading lights (with signals)
 - Two halogen rear vision lights (hood mounted)
- Alarm, back-up
- Alternator, 145-amp brushed
- Main disconnect switch
- Receptacle start (cables not included)

CAT CONNECT TECHNOLOGIES

- Link technologies: Product Link
- Detect technologies: rear vision camera

POWER TRAIN

- Engine, Cat C7.1 ACERT – meets Tier 4 Final/Stage IV emission standards
- Cat Clean Emissions Module (CEM) with Diesel Particulate Filter (DPF) and remote Diesel Exhaust Fluid (DEF) tank and pump
- Fuel priming pump (electric)
- Fuel/water separator
- Precleaner, engine air intake
- Economy Mode (selectable)
- Transmission, automatic countershaft power shift (5F/3R)
- Torque converter, locking clutch with free wheel stator
- Switch, transmission neutralizer lockout
- Axles, manually actuated differential lock front axle, open differential rear axle
- Axles, ecology drains

- Brakes, full hydraulic enclosed wet-disc with Integrated Braking System (IBS)
- Brake wear indicators
- Parking brake, disc and caliper
- Fan, radiator, electronically controlled, hydraulically driven, temperature sensing, on demand

LINKAGE

- Linkage, optimized Z-bar, cast crosstube/tilt lever
- Kickout, lift and tilt, automatic (adjustable in cab)

HYDRAULICS

- Hydraulic system, load sensing
- Steering, load sensing
- Ride control, 2V
- Remote diagnostic pressure taps
- Hoses, Cat XT
- Couplings, Cat O-ring face seal
- Hydraulic oil cooler (swing out)
- Oil sampling valves

FLUIDS

- Premixed extended life coolant with freeze protection to -34°C (-29°F)

OTHER STANDARD EQUIPMENT

- Hood, non-metallic power tilting with rear clamshell
- Service centers (electrical and hydraulic)
- Auto idle shutdown
- Fenders, steel front with mud-flap/rear with extension
- Ecology drains for engine, transmission, and hydraulics
- Grill, airborne debris
- Filters: fuel, engine air, engine oil, hydraulic oil, transmission
- Fuel cooler
- Grease zerks
- Hitch, drawbar with pin
- Precleaner rain cap
- Sight gauges: engine coolant, hydraulic oil, and transmission oil level
- Toolbox
- Vandalism protection caplocks

Optional Equipment

Optional equipment may vary. Consult your Cat dealer for details.

OPERATOR ENVIRONMENT

- Door, remote opening system
- Cover, HVAC metallic
- EH controls, SAL 3rd function
 - Additional roller switch for 4th function
- EH controls, joystick lift and tilt
 - Additional integrated roller switches for 3rd and 4th functions
- Filter, carbon fresh air
- Mirrors, heated rearview external with integrated spot mirrors
- Precleaner, HVAC
- Precleaner, HVAC (RESPA)
- Radio, AM/FM/USB/MP3 Bluetooth
- Radio, AM/FM/CD/USB/MP3 Bluetooth
- Radio, AM/FM/CD/USB/MP3 Bluetooth with Satellite Sirius and XM
- Radio, CB ready
- Seat, heated air suspension
- Seat belt, 76 mm (3 in) retractable, with indicator
- Steering, EH joystick, speed sensing with force feedback
- Roof, metallic
- Steering, secondary
- Sun visor, rear
- Windows, rubber mounted
- Windows, with front guard
- Windows, with full guards front, rear and sides
- Full time rear vision display (WAVS)

ELECTRICAL AND LIGHTING

- Four additional halogen cab mounted work lights or;
- Four additional HID cab mounted work lights
- LED front and rear roading lights
- Forward roading lights with LED turn signal
- Warning amber strobe beacon
- Reversing strobes

STARTERS, BATTERIES, AND ALTERNATORS

- Cold start – 120V
- Cold start – 240V

CAT CONNECT TECHNOLOGIES

- Link technologies: VIMS™
- Payload technologies:
 - Aggregate Autodig
 - Cat Production Measurement
 - Printer, Cat Production Measurement
- Detect technologies: dedicated display for rear vision camera, full-time activation
- Machine Security System

POWER TRAIN

- Axles
 - Automatic front/rear differential locks
 - Axle oil cooler
 - Extreme temperature seals
 - Seal guards
- Fan, VPF (variable pitch fan), automatic and manual control
- Radiator, high debris with wider fin spacing

LINKAGE

- High lift
- Forestry
- Extended capacity (962M only)
- Quick coupler ready
- Autolube

WORK TOOLS

- Performance Series buckets
- Fusion quick coupler
- Forks, pallet
- Forks, logging

HYDRAULICS

- 3rd function with Ride Control
 - Standard linkage
 - High lift linkage
 - Forestry linkage
- 4th function with Ride Control
 - Standard linkage
 - High lift linkage
 - Forestry linkage

FLUIDS

- Premixed extended life coolant with freeze protection to –50° C (–58° F)

OTHER OPTIONAL EQUIPMENT

- Fenders, roading
- Guard, power train
- Precleaner, turbine
- Precleaner, trash
- Platform, window washing
- Cold weather package
 - Transmission filter bypass
 - Fan pump bypass
 - Jacket water or engine block heater
 - Ether aid ready

OTHER OPTIONAL CONFIGURATIONS

- Aggregate Handler (962M only; 950M offers an auxiliary counterweight but is not restricted as outlined for an aggregate handler)
- Industrial and Waste Handler
- Forestry (950M only)
- Steel Mill (962M only)

For more complete information on Cat products, dealer services, and industry solutions, visit us on the web at www.cat.com

© 2014 Caterpillar
All rights reserved

Materials and specifications are subject to change without notice. Featured machines in photos may include additional equipment. See your Cat dealer for available options.

CAT, CATERPILLAR, SAFETY.CAT.COM, their respective logos, "Caterpillar Yellow" and the "Power Edge" trade dress, as well as corporate and product identity used herein, are trademarks of Caterpillar and may not be used without permission.

VisionLink is a trademark of Trimble Navigation Limited, registered in the United States and in other countries.

AEHQ7345-01 (12-2014)
Replaces AEHQ7345
(NACD)

