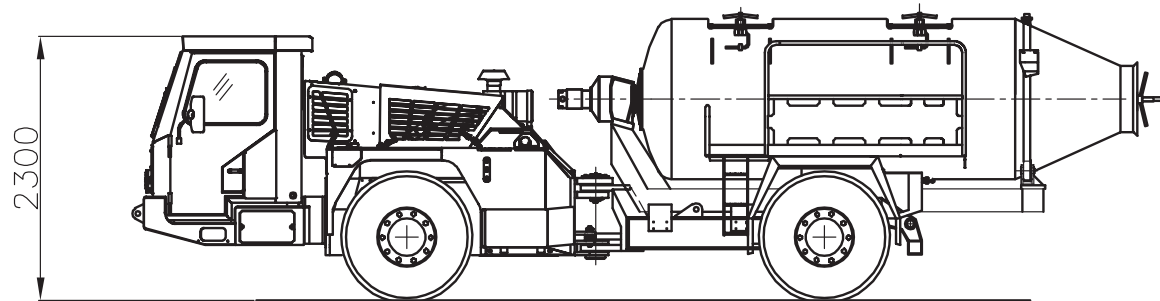
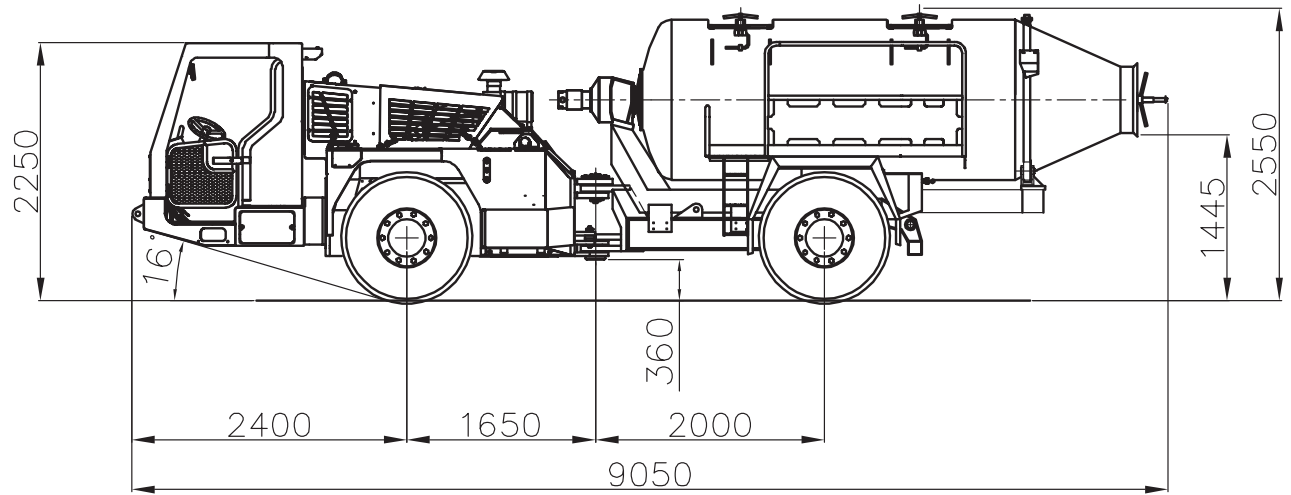


normet

Normet Corporation
Ahmolantie 6
FI-74510 IISALMI, FINLAND
Tel +358 (0) 17 83 241
Fax +358 (0) 17 823 606

Variomec 1050 M

T1 1800016
DRW
DATE 04.12.2007
PAGE 1 / 3
APPR. 07.05.2009

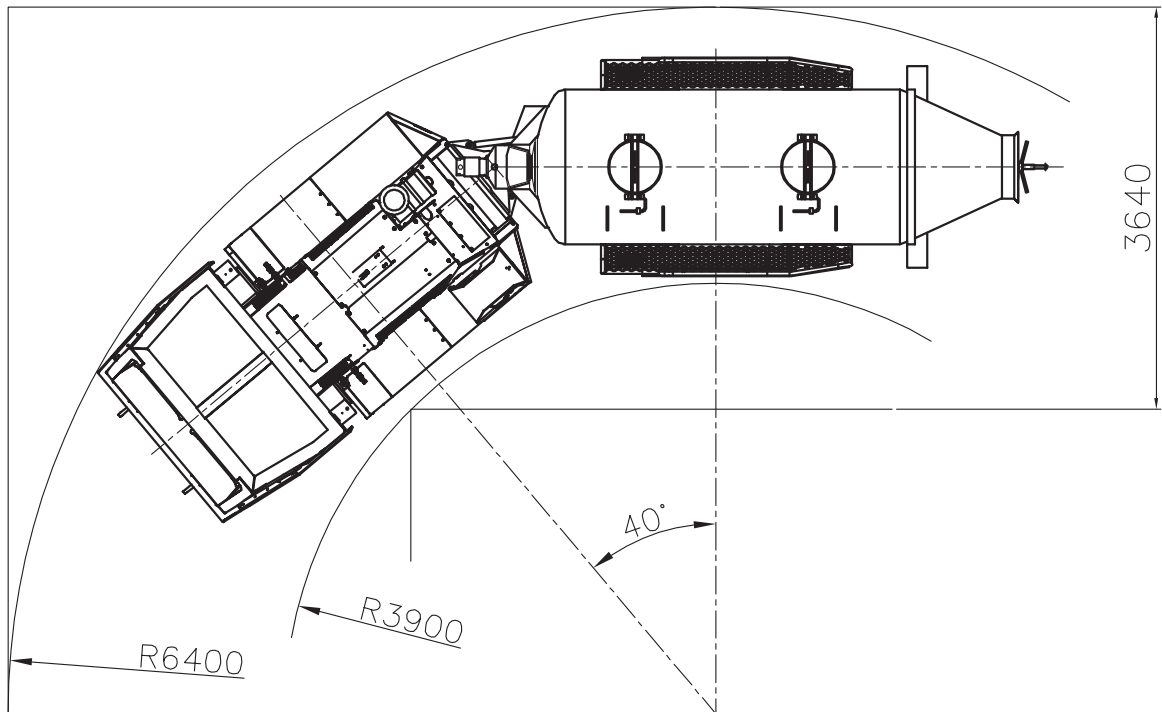
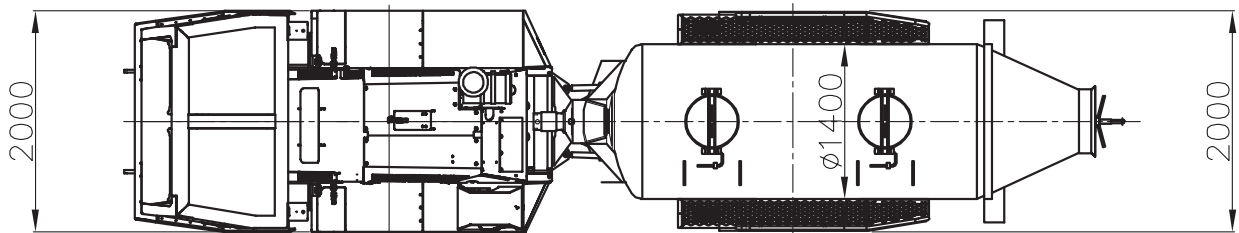


normet

Normet Corporation
Ahmolantie 6
FI-74510 IISALMI, FINLAND
Tel +358 (0) 17 83 241
Fax +358 (0) 17 823 606

Variomec 1050 M

TI 1800016
DRW
DATE 04.12.2007
PAGE 2 / 3
APPR. 07.05.2009



DIMENSIONS

Length	9050 mm
Width	2000 mm
Height	2550 mm
Wheel base	3650 mm
Track	1650 mm
Ground clearance	360 mm

WEIGHT

Operating	10400 kg
-----------	----------

TURNING RADIUS

Outer	6400 mm
Inner	3900 mm

MIXER

Drum volume (100% fill)	5,5 m ³
Carrying capacity	4,4 m ³
Hydraulically controlled mixing and unloading	
Adjustable rotation speed	0...13 rpm

PERFORMANCE CURVE

	17100043
1st gear	max. 5 km/h
2nd gear	10 km/h
3rd gear	25 km/h
Max. tractive effort	132 kN

TRANSMISSION

Dana Spicer powershift
 3 speeds forwards and reverse
 4-wheel drive

AXLES

Planetary type	
rear axle fixed	
front axle oscillation	+/- 10°

TYRES

12.00 - 20 PR 18

BRAKES

Service brake: hydraulically powered two-circuit oil immersed multidisc brakes in both axles
Safety/Parking brake: hydraulically released fail-safe - type brake

STEERING

Hydraulic frame steering,
 Orbitrol type
 Frame articulation +/- 40°

HYDRAULICS

190 bar, 100 l/min/2200 rpm
 for steering and brakes
 200 bar, 105 l/min/2200 rpm for mixer

ENGINE

Deutz TCD 2013 L4
 120 kW/2300 rpm

ELECTRICAL SYSTEM

24 V negative ground
 Battery 2 x 110 Ah
 Alternator 80 A
 Lights (2+2) x 70 W

OPTIONS AND ACCESSORIES:**ENCLOSED CABIN****CABIN HEATING****AIR CONDITIONING****ENGINE**

MB 904 LA
 110 kW/2200 rpm

RETARDER

Mounted in driveline
 Electromagnetic type
 Recommended on inclines deeper than 1:10 and longer than 1000 m

HIGH PRESSURE WASHER

Hydraulically operated
 Washing effect 10 kW 200 bar/30 l/min
 Max. input water temperature + 70°C

MIST SPRAY