



Normet Minimec 2

for mechanized spraying
in restricted spaces

Defining the future
UNDERGROUND

normet
normet.com

Product details and benefits

Very agile and robust carrier

The spray manipulator is mounted on a sturdy tracked carrier which is driven by a powerful, yet quiet diesel engine of the latest generation. The two powerful independent hydraulic drive hub motors allow turning on the spot.

Hydraulically activated stabilizers ensure a safe stand of the carrier during the spraying process. The included additional foot blocks provide even more stability on soft ground and in slopes. Easily accessible lifting points at the center of the machine allow easy and safe lifting.

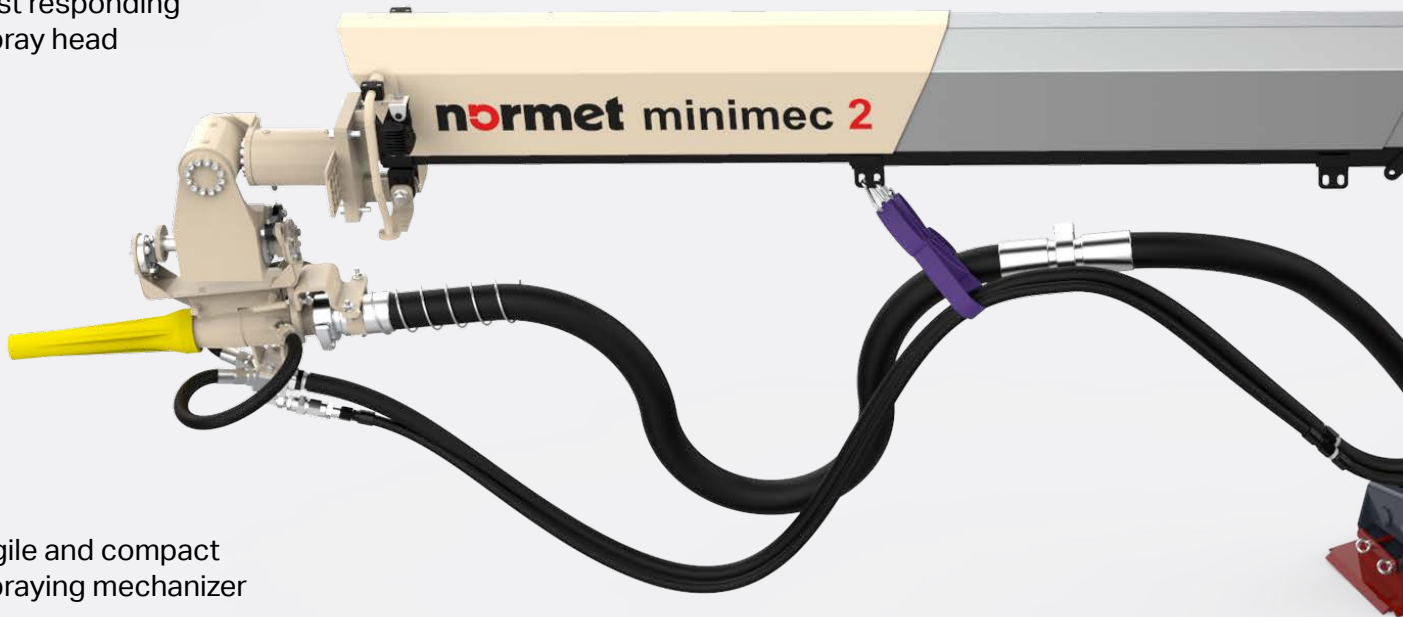
Plenty of power for a dynamic operation

The electric motor or diesel engine provides the spray arm and spray head with the hydraulic power for a dynamic spraying operation. The well protected air/oil cooler delivers the cooling capacity required for continuous operation.

Individual adjustments for a smooth operation

The spraying boom is controlled by a proportional radio remote control with two joysticks. Each joint speed can be individually adapted to the preferences of the operator. The built-in display shows the operating state of each component and simplifies troubleshooting.

Tried and tested
fast responding
spray head



Agile and compact
spraying mechanizer

Remote driving system
as an option

Additional foot blocks
for more stability on soft
ground and in slopes

Build for purpose

Protected by stainless steel covers against rebound, the two extensions of the spray arm achieve an impressive working range. Six powerful LED-lights on the boom and carrier provide a great illumination of the working environment which makes any additional lighting obsolete.

The field-tested and fast responding spray head with a wide and high range and the greatest possible degree of movements facilitates the correct application of a high-quality sprayed concrete layer even in very confined spaces.

Safety

The safety is further increased by the stability of the machine and the possibility to drive and spray remotely from a safe distance. In addition, the drive hub motors are equipped with spring applied brakes which are activated whenever the operator releases the controls. Minimec is CE-certified and meets the industry requirements and safety regulations.

Productivity and reliability are what you need

Thanks to its great mobility, working range and reliability, the Minimec greatly increases the productivity of the spray application – every day!



Central lifting points at machine's center of gravity

Well protected air/oil cooler for continuous operation

Display for operating states of components and troubleshooting

Powerful and quiet diesel engine of the latest generation

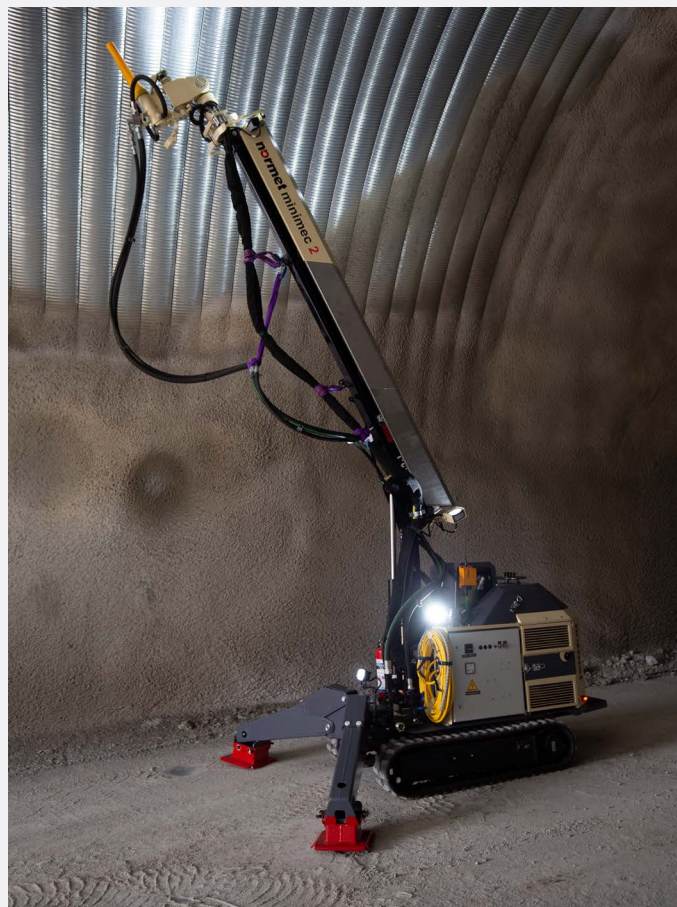
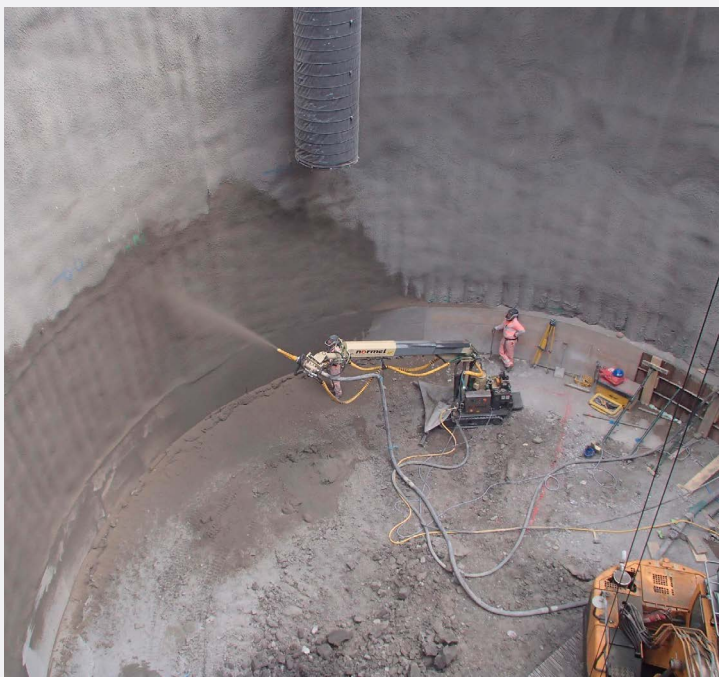
Independent hydraulic drive hub motors to turn on the spot

Bigger hydraulic power pack for continuous dynamic spraying operation

Field of application

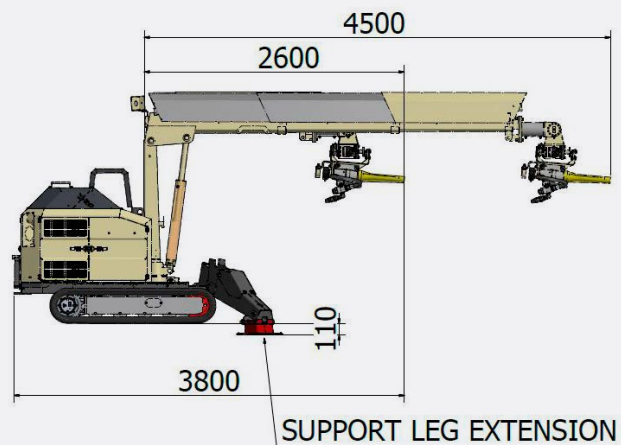
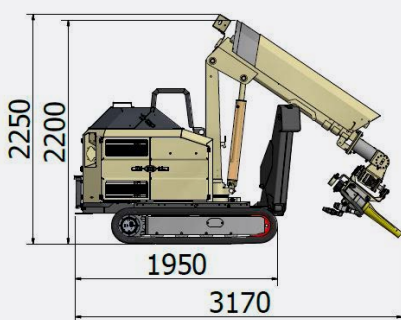
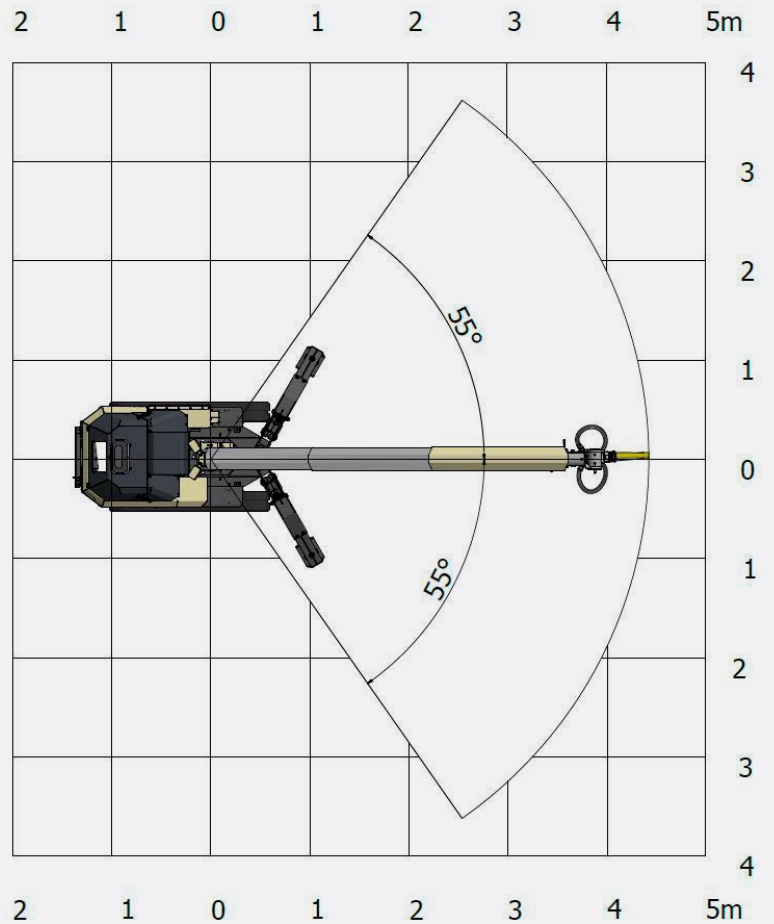
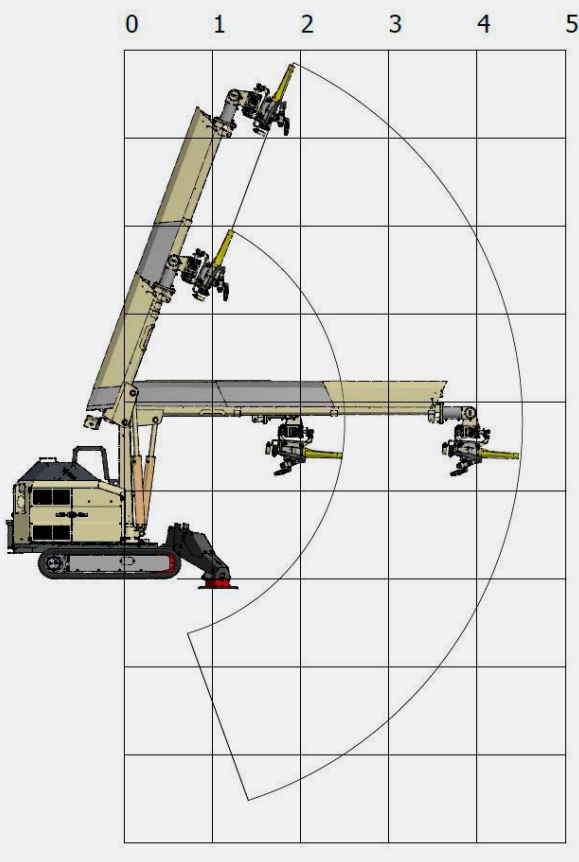
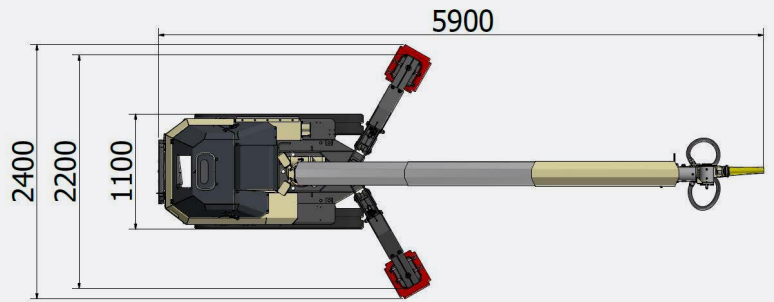
Compact spray manipulator for restricted spaces

The Normet Minimec spray manipulator is especially designed for mechanized spraying in pits and small diameter tunnels such as escalator and access shafts, connecting tunnels and other places where the access with larger machines is not possible.



DIMENSIONS AND WEIGHT

Length	3170 mm
Width	1100 mm
Width (support legs extended)	2400 mm
Height	2250 mm
Ground clearance	180 mm
Weight	1720 kg



>50 years of experience

>12 000 delivered machines

NORMET is a fast growing and innovative technology company with a passion to offer continuous improvement to our partners' processes for increased safety, productivity and profitability.

>1200 professionals

100 % trustworthy partner



NORMET AMERICAS
SALT LAKE CITY, UT (USA)

NORMET INTERNATIONAL
HÜNENBERG (SWITZERLAND)

NORMET
IISALMI (FINLAND)

NORMET CHILE
SANTIAGO (CHILE)

NORMET SINGAPORE
SINGAPORE

NORMET ASIA-PACIFIC
ADELAIDE

NORTH AMERICA

Canada
Mexico
USA

SOUTH AMERICA

Brazil
Chile
Colombia
Peru

EUROPE

Finland
France
Norway
Russia
Sweden

AFRICA

South Africa
Zambia

ASIA

China
Hong Kong
India
Indonesia
Kazakhstan

Russia
Singapore
Taiwan
United Arab Emirates
Uzbekistan

AUSTRALASIA

Australia
New Zealand



WE ARE LOOKING FORWARD TO TELL YOU MORE

For more information, please contact your local Normet representative, visit [normet.com](https://www.normet.com) for contact details.

normet
normet.com