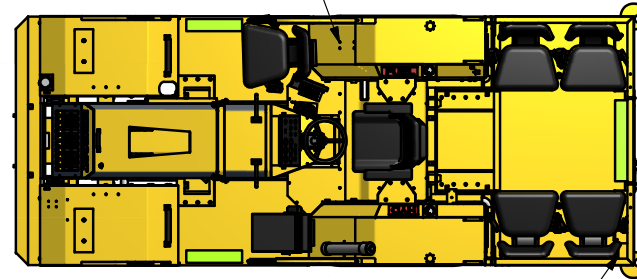
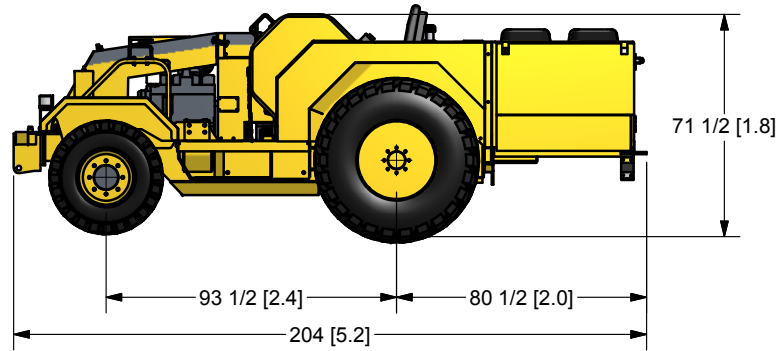
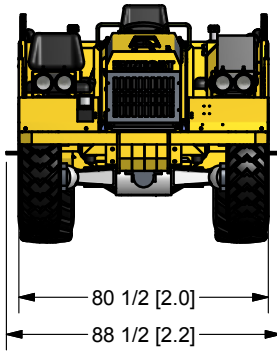


FIRE EXTINGUISHER
MOUNTING LOCATION



STROBE LIGHT
MOUNTING LOCATION



NOTE 1: DUE TO DESIGN UPGRADES
SOME DIMENSIONS AND COMPONENTS
MAY BE SUBJECT TO MINOR CHANGES

NOTE 2: OTHER OPTIONAL ACCESSORIES
ARE AVAILABLE

SCALE:	MATERIAL:
DRAWN BY: T. LANGMAN	<p>UNLESS OTHERWISE NOTED TOLERANCING IS AS FOLLOWS: FRACTIONAL = +/- 1/16 1 DECIMAL = +/- .030 2 DECIMAL = +/- .010 3 DECIMAL = +/- .005 BREAK ALL SHARP EDGES</p>
REVIEWED BY:	
CHECKED BY:	
DATE: 08/07/2010	



**Industrial
Fabrication Inc.**
Sudbury, Ontario, Canada
Phone: (705) 523-1621
Fax: (705) 523-0565

TITLE
MINECAT MC 100E 7 PERSON GENERAL
ARRANGEMENT

PART # IFID99046

REV