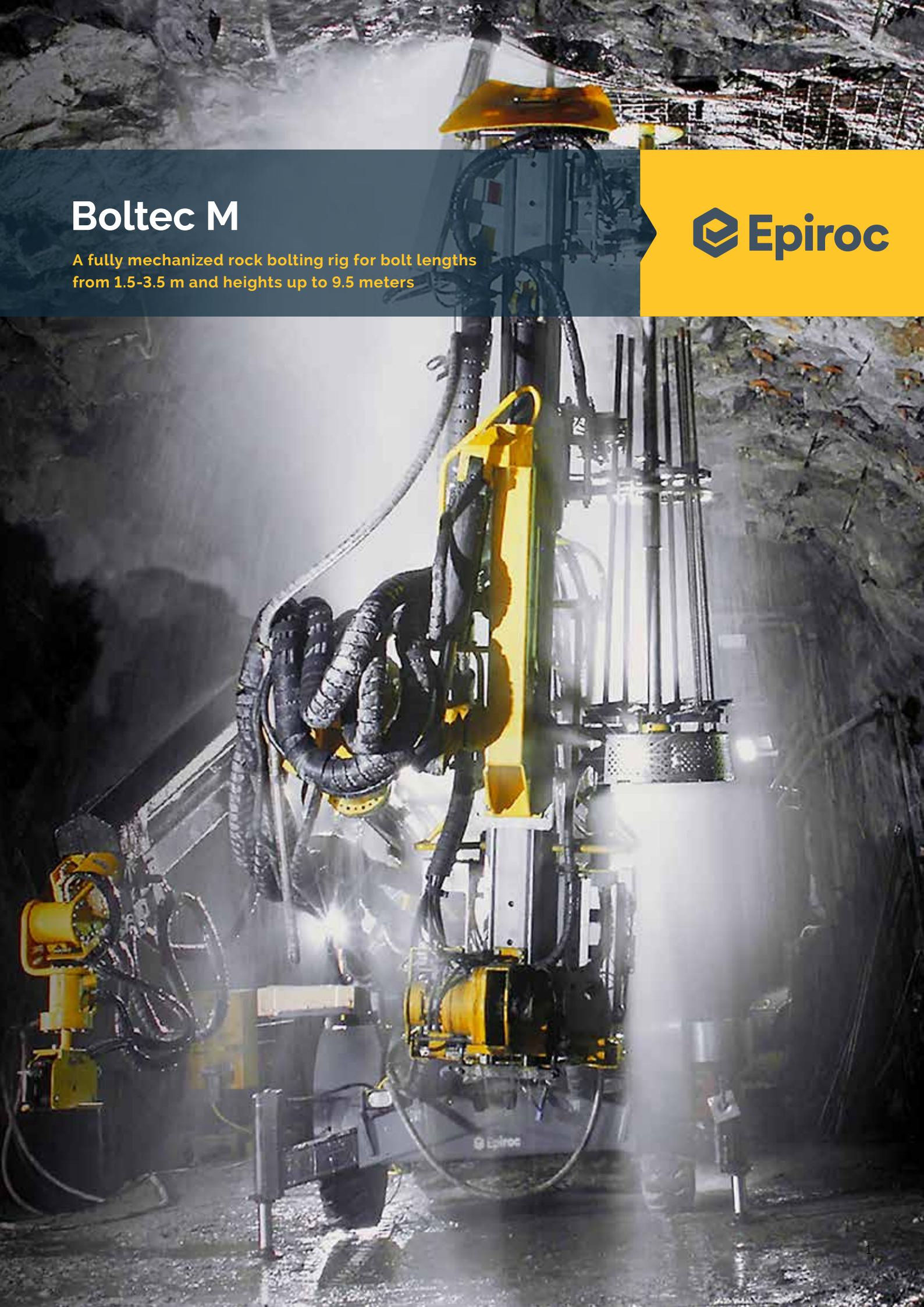


Boltec M

A fully mechanized rock bolting rig for bolt lengths from 1.5-3.5 m and heights up to 9.5 meters



Making mining safe

A fully mechanized rock bolting rig for bolt lengths from 1.5-3.5 meters. Effective in roof heights up to 9.5 meters.

+ Main benefits

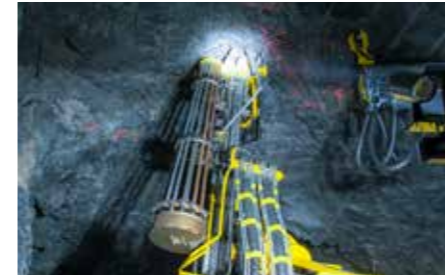
Optimized bolting unit with reduced feed length which gives potential for reduced drive sizes whilst retaining the same bolt lengths used previously

Rock drills optimized for bolt hole drilling with the options of COP RR11 and COP RR14

Easy maintenance with an open service architecture thanks to a four-wheel drive carrier which is common with the Simba M/E and the Boomer M/E machines



Automated bolting tool retraction and indexing over to drilling mode at completion of bolting



The bolting unit on the Boltec M has been optimized to reduce the overall feed length by 100 mm when compared to earlier bolting unit designs.



The COP RR11 rock drill is optimized for bolt hole drilling. For larger hole diameters required for some friction bolt types the optional COP RR14 is suitable.



The Boltec M series machines share a common four wheel drive articulated carrier design with their Simba M/E and Boomer M/E stablemates.

Optional mesh handling arm

Optional bulk cement silo for cement grouted bolts

Boltec M safe bolting

Safety and quality of bolt installation is our focus. The standard and optional features of the Boltec M ensures operator safety, comfort and guarantees a job well done.



+ Safety

Mechanized bolting removes the operator from the potentially dangerous areas of unsupported ground. All drilling and bolt installation is controlled from the operator station under a FOPS certified canopy or optional ROPS and FOPS certified air conditioned cabin.



+ Bolt installation quality

Mechanized bolting typically holds a much higher installation quality and consistency than manual or semi-mechanized installation. Bolt angles, bolt spacing, controlled grout ratios, installation pressures, and bolt numbers are just some of the data that can be collected or recorded.



+ Operator comfort

The operator position affords excellent visibility of the bolting operation as well as when tramming the vehicle. The operator area is spacious and features a swingable operator seat for driving and bolting. The optional ROPS and FOPS air conditioned cabin enhances the operator's comfort especially in extreme temperatures or dusty conditions.



A comprehensive service offering

Even the best equipment needs to be serviced regularly to make sure it sustains peak performance. An Epiroc service solution offers peace of mind, maximizing availability and performance throughout the lifetime of your equipment. We focus on safety, productivity and reliability.

By combining genuine parts and an Epiroc service from our certified technicians, we safeguard your productivity – wherever you are.

Technical specifications

● - Standard ○ - Option
A - Boltec M B - Boltec M Battery

Rock drill	A	B
COP RR11	●	●
COP RR14	○	○
Rock drill lubrication, air dryer system	○	○
Air-water mist flushing, external water, internal air, hydraulic oil cooled by air fan	○	○
Air-water mist flushing, external water, internal air, hydraulic oil cooled by water	○	○
Air-water mist flushing, internal water, internal air, hydraulic oil cooled by air fan	○	○
Rock drill lubrication warning kit	●	●
Hole blowing kit	●	●

Boom	A	B
BUT 45 S	●	●
Automatic boom lubrication system, rear part	○	○
Central boom lubrication kit	○	○
Ni-Cr boom cylinders for corrosive conditions	○	○

Bolting unit	A	B
Magazine capacity 10 bolts		
Size of face plates, rectangular, diameter, max 150x150 mm		
Size of face plates, round, diameter, max Ø 200 mm		
Bolt length from 1.5 m to 3.5 m		
Swelllex, Mn 12, Mn 16, Mn 24	○	○
Split-set, SS39, SS46	○	○
Mechanical anchor bolts, CT, Kiruna, including boltrotator	○	○
Rebar - manual resin/cement cartridge, including boltrotator	○	○
Rebar - resin cartridge injection system, automatic, including boltrotator	○	○
Rebar - Cement injection system, manual mixing	○	○
Rebar - Cement injection system, automatic mixing with bulk cement silo 1 000 kg	○	○
Self Drilling Anchor (SDA) bolts, R28, R32 (with pumpable resin system)	○	○
Hollow bar bolts, R25, R28, R32 (with pumpable resin system)	○	○
Hose injection system for resin cartridges	○	○
Dual bolt lengths*	○	○
Dual bolt types	○	○
Extension drilling kit	○	○
Welded screen mesh handling arm	○	○
MESHA rolled mesh handling arm	○	○
Pumpable resin system	○	○
*2nd bolt length no less than 70% length of maximum bolt length		

Hydraulic system	A	B
Low oil level indicator	●	●
Oil temperature meter	●	●
Filtration 16 µm	●	●
Oil filter indicator	●	●
Mineral hydraulic oil	●	●
Electric oil filling pump	●	●
Biodegradable hydraulic oil	○	○
Hydraulic oil thermostat	●	●
Hydraulic oil leakage detection and shut-down system	○	○
Hydraulic oil fine particulate and water filtration system (not in conjunction with bulk cement system)	○	○

Control system	A	B
Rig Control System (RCS)	●	●
Bolt Quality Log (BQL)	○	○
Bolt plan navigation	○	○
Rig Remote Access (RRA)	○	○
Bolt angle indication	○	○

Air/water system	A	B
Compressor: Atlas Copco GAR5		
Hydraulic water booster pump capacity at 7 bar, 80 L/min		
Minimum water inlet pressure 2 bar		
Water flow and pressure guard for flushing water		
Electric driven water booster pump, max capacity at 15 bar boost 300 L/min. Minimum water inlet, 2 bar at 200 L/min*		○
Water hose reel, including water hose	○	○
High pressure washing kit	○	○
Remote controlled water cannon	○	○

Electrical system	A	B
Total installed drilling power 63 kW (Auto cement, 83 kW)	●	●
Main motors 55 kW (Auto cement, 75 kW)	●	●
Voltage 380-1 000 V	●	●
Frequency 50 Hz	○	○
Frequency 60 Hz	○	○
Soft start (380-690 V)	○	○
Transformer 8 kVA	●	●
Transformer for charging 100 kW		●
Electronic overload protection for electric motors	●	●
Digital volt/ampere meter in electrical cabinet	●	●
Phase sequence and eart fault indicator	●	●
Battery charger	●	●
700 V Battery 280 Ah		●
Cable reel with limiting switch	●	●
Electrical outlet, main supply voltage 16 Amp 3-phase (16 A or 32 A socket size) - not for 1 000 V	○	○
Extra transformer 3-phase 15 kVA capacity with 230 V and 400 V outlet (16 A or 32 A socket size)	○	○
PC4 or PC5 plug/socket	○	○
Spotlight, 1x70 W, 24 V	●	●
Illuminated stairs for platform (LED)	●	●

Carrier	A	B
Deutz TCD 2013 L4 120 kW 4 cylinder Tier 3/Stage IIIA diesel engine	●	
Deutz TCD 4.1 115 kW 4 cylinder Tier 4 final/Stage V diesel engine	○	
Traction motor, 150 kW		●
Articulated ±40° steering angle	●	●
Four wheel drive	●	●
Hot climate tramming kit	○	○
Electrical system 24 V	●	●
Batteries 2x125 Ah	●	●
Automatic differential lock on front axle, limited slip	●	●
Tires, 12.00 R24	●	●
Clearance outside axles rear 13"	●	●
Front and rear hydraulic jacks	●	●
Fuel tank volume 4 cylinder engine 110 L	●	●
Central lubrication system	●	●
Tramming lights, rear 4x40 W LED	●	●
Tramming lights, rear 2x40 W LED + 2x70 W Halogen	●	●
Working lights 2x320 W LED 24 V DC	●	●
Illuminated stairs for platform	●	●
Central grease point	●	●
Fire extinguisher	●	●
Fire suppression system ANSUL - manual release	○	○
Fire suppression system ANSUL - automatic release (checkfire)	○	○
Fire suppression system ANSUL - automatic release with CO ₂ in electrical cabinet	○	○
E-tramming	○	○
Electric hydraulic/diesel hydraulic drilling capability	○	○

Technical specifications

● - Standard ○ - Option
A - Boltec M **B** - Boltec M Battery

Optional cabin	A	B
FOPS and ROPS certified cabin, noise level <80 dB(A)	●	●
Low profile cabin ROPS and FOPS 150 mm lower than standard - seated operation only	○	○
Low profile cabin ROPS and FOPS 150 mm lower than standard - seated operation only	○	○
Cabin height fixed, lowered 140 mm from standard	○	○
Cabin height fixed, raised 250 mm from standard	○	○
Mediaplayer	●	●
12 V outlet for communication radio	●	●
Reversing camera with monitor	○	○
Air conditioning unit	●	●
Heating function for air conditioning (water transferred)	○	○
Swingable seat for drilling and tramming	●	●
Cabin body made of stainless steel	○	○
Joystick-controlled spotlights left and/or right, 70 W	○	○
Front window, 24 mm	○	○
FOPS-approved grizzly bar for front window	○	○
Cabin lift/tilt function (FOPS)	○	○

Protective roof	A	B
Mounting height increased 60 mm from standard	○	○
Mounting height increased 310 mm from standard	○	○

Tramming speed	
On flat ground (rolling resistance 0.05)*	>15
On incline 1:8	>5

* Electric driveline >12 km/h

Dimensions	
Width	2 245 mm
Height, cabin fixed ROPS and FOPS	3 021 mm
Height, protective roof (min/max)	2 361/3 061 mm
Length tramming SBU2400	14 129 mm
Ground clearance	275 mm
Turning radius outer/inner	7 100/4 550 mm

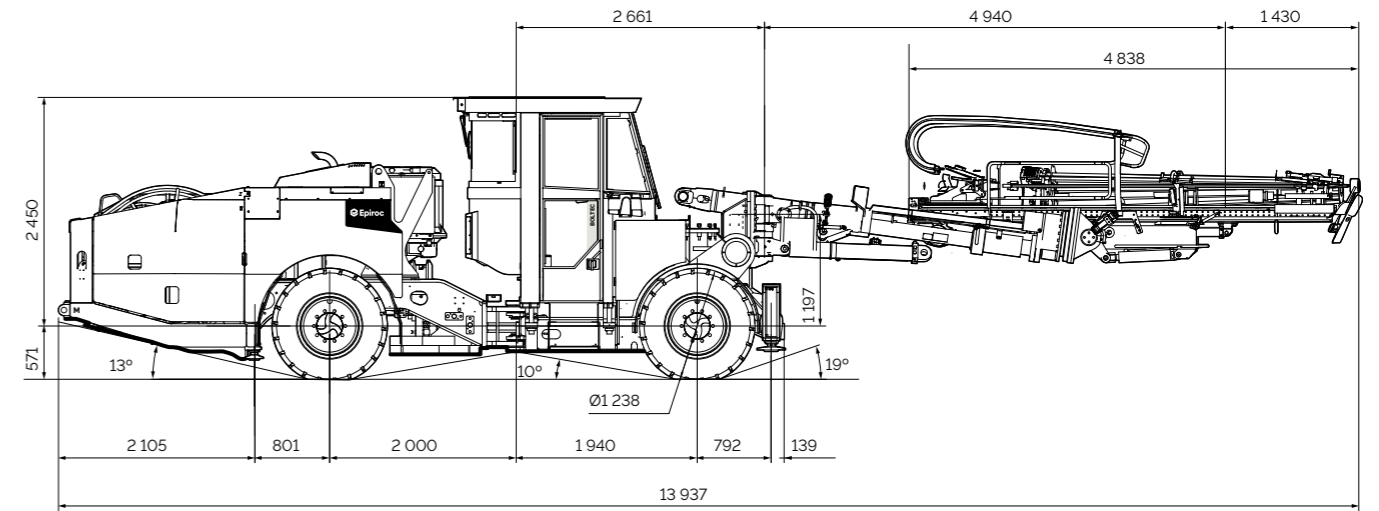
Weight	A	B
Total	27 900 kg	29 900 kg
Boom side	15 800 kg	15 800 kg
Engine side	12 100 kg	14 100 kg

Voltage	Dimension, mm ²	Diameter	Length
400 V	3x185+3G35+2x1x1.5	56 mm	90 m
440 V	3x150+3G25+2x1x1.5	52 mm	100 m
460-500 V	3x120+3G25+2x1x1.5	46.5 mm	120 m
500-550 V	3x95+3G16+2x1x1.5	42 mm	150 m
660-690 V	3x70+3G16+2x1x1.5	37 mm	180 m
1 000 V	3x50+3G10+2x1x1.5	32 mm	200 m

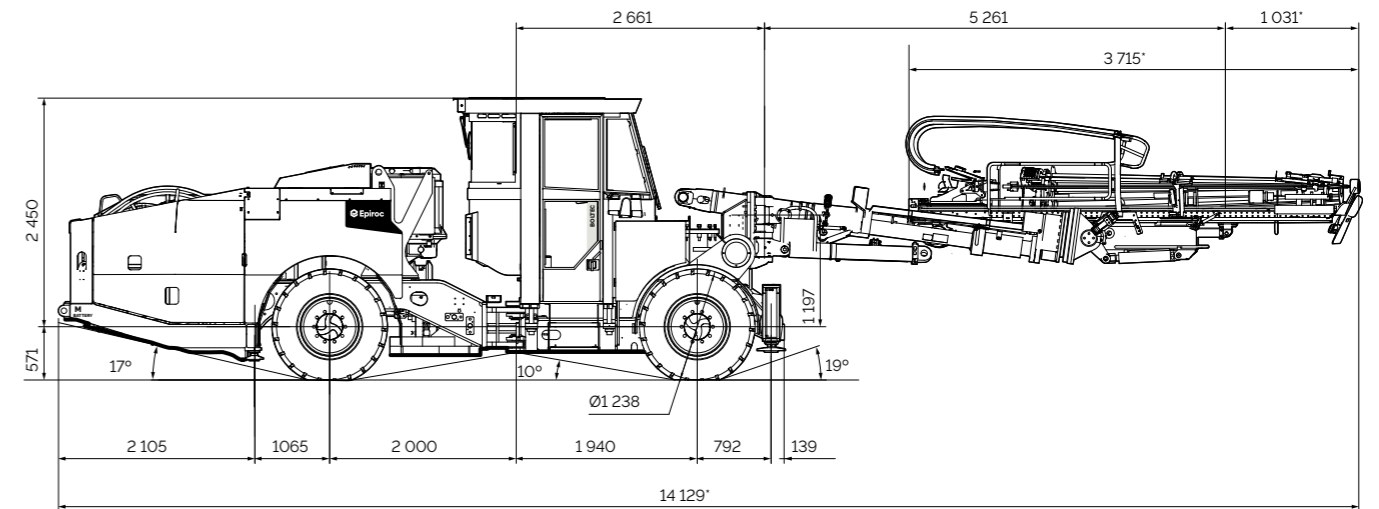
Recommendations are given for surrounding temperature of 40°C and up to a height of 2 000 m. Cable dimension for battery version depends on charging cycle.



Technical specifications

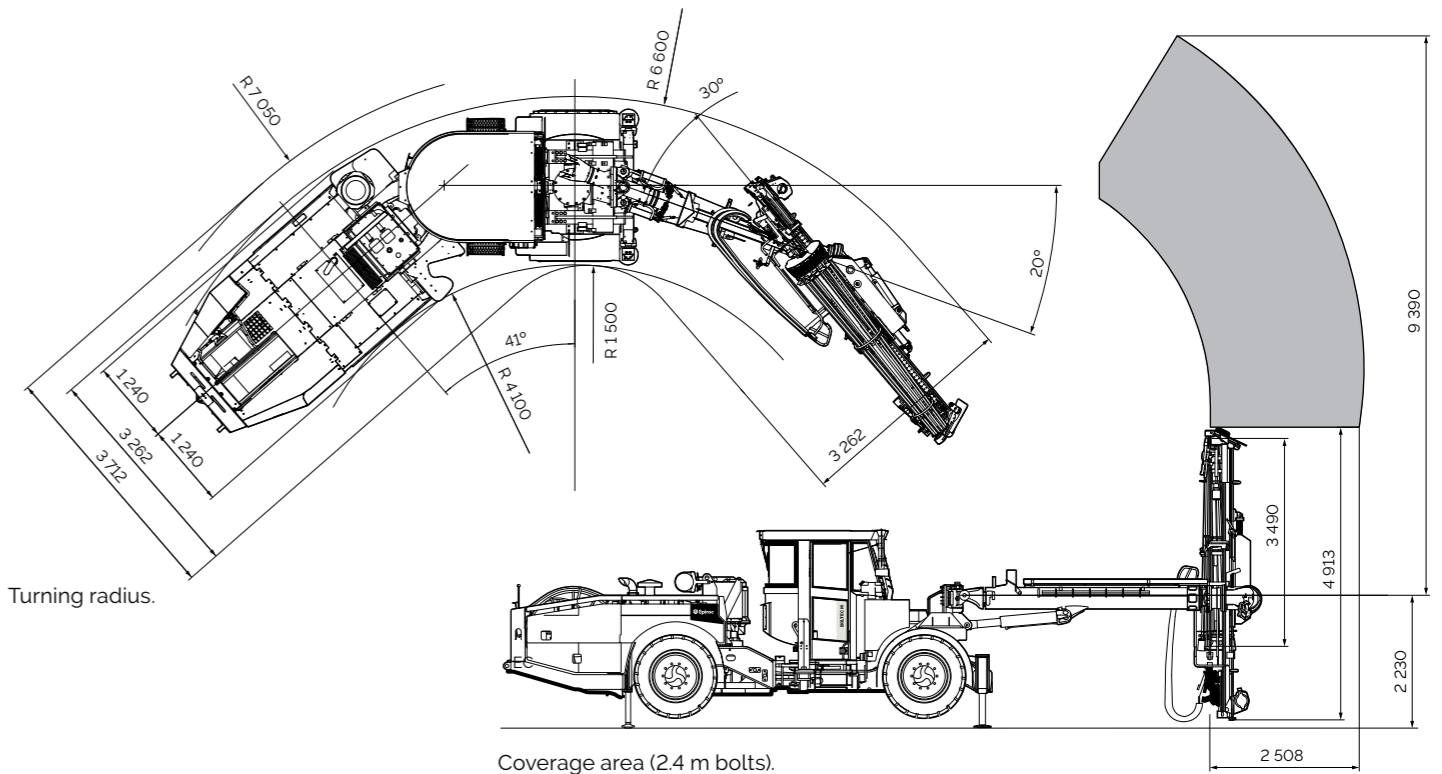


Dimension illustration, diesel version (optional equipment mounted).



Dimension illustration, battery version (optional equipment mounted).

* Length with SBU X57



Turning radius.

Coverage area (2.4 m bolts).

United in performance. Inspired by innovation.

Performance unites us, innovation inspires us, and commitment drives us to keep moving forward. Count on Epiroc to deliver the solutions you need to succeed today and the technology to lead tomorrow.
epiroc.com

