



EJC 430

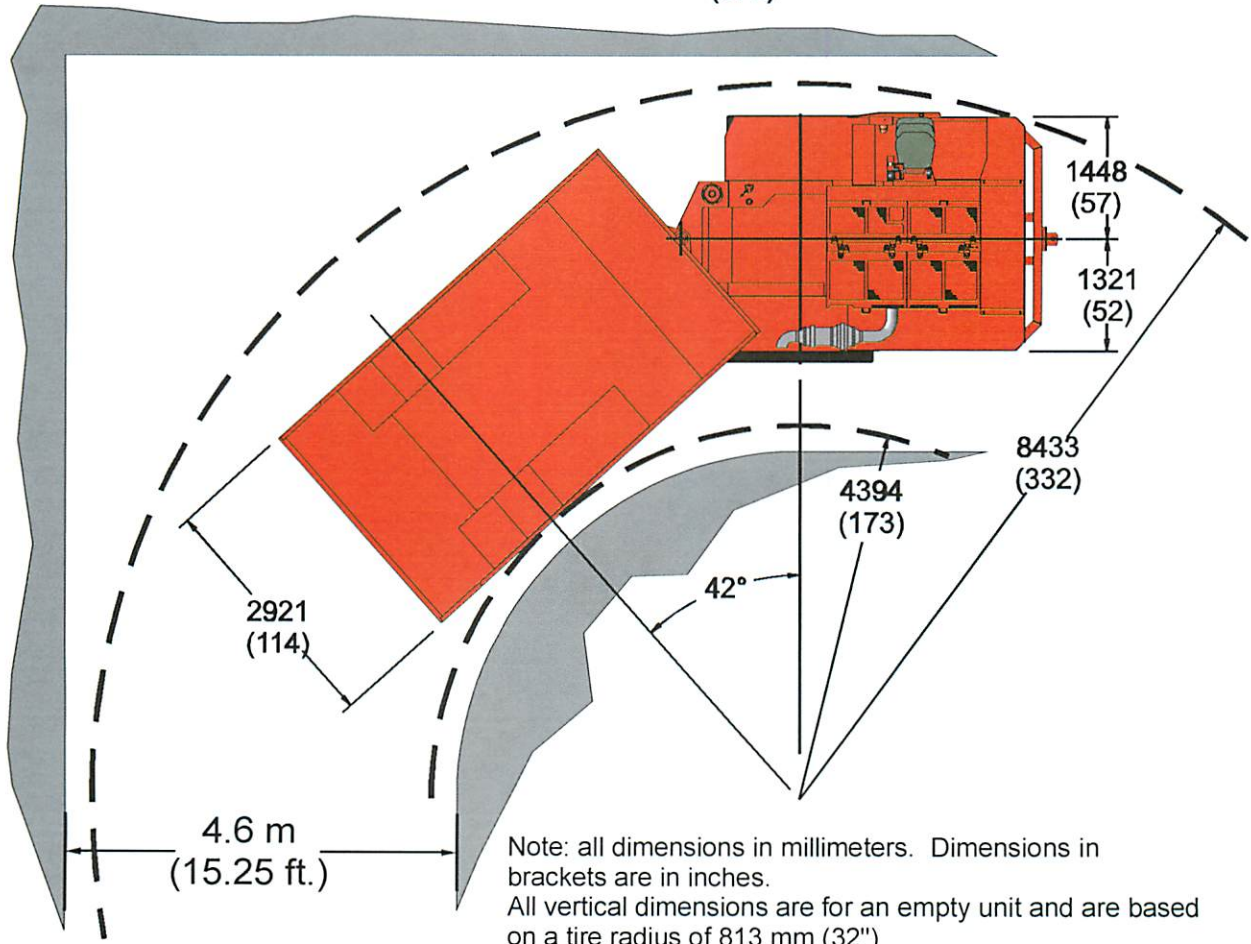
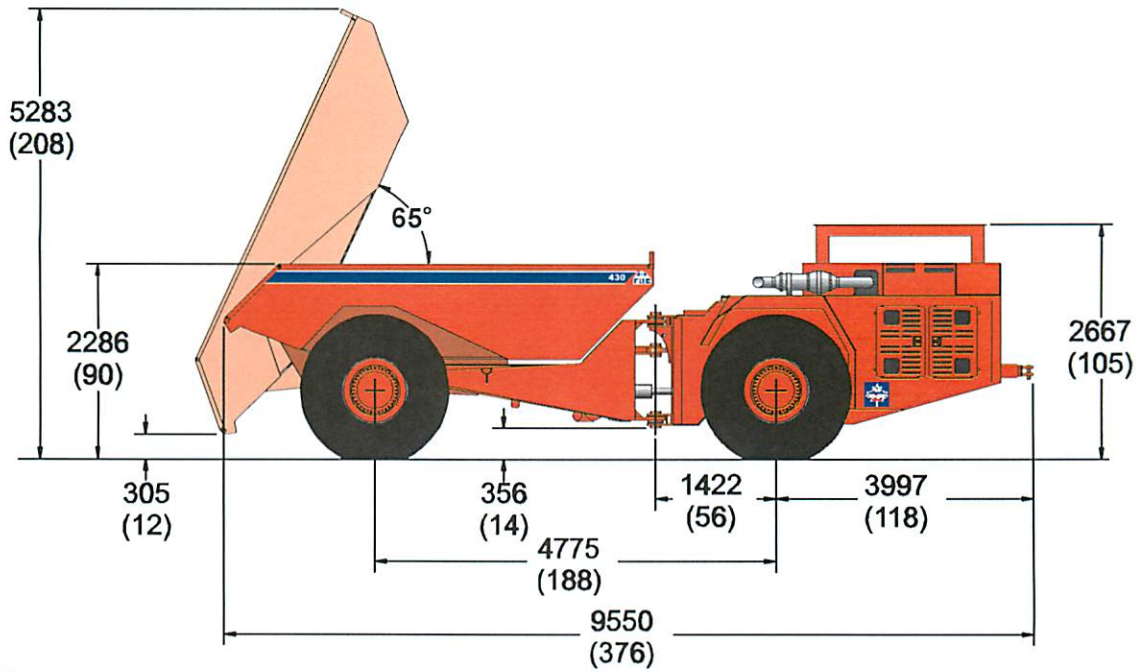
TECHNICAL SPECIFICATION

A RUGGED PERFORMER FOR THE TOUGHEST HAULAGE APPLICATIONS
CAPACITY: 30 SHORT TONS (27.3 TONNES)





Main Dimensions



Note: all dimensions in millimeters. Dimensions in brackets are in inches.
 All vertical dimensions are for an empty unit and are based on a tire radius of 813 mm (32")





Specification Sheet

SANDVIK TAMROCK
EJC Loaders Division
EJC 430

CUSTOMER: _____
P.O. NBR. _____
SHIP DATE _____

4/21/99

STANDARD UNIT

Detroit Diesel Series 60, 300 hp (224 kw)
Donaldson dry type air cleaner
ECS catalytic exhaust purifier with silencer
Clark transmission
Clark torque converter
Clark axles with "Posi-Stop" brakes
21:00 R25 Michelin XKA** tires
20.0 yd³ (15.3 m³) SAE rated dump box
Pilot operated stick steering control
Pilot operated dump box control
Electric transmission controls
Central hydraulic pressure test points
Electric gauges
24-volt DC electrical system
Central manual lube
Back-up alarm, audible
SAE type hose fittings
Four (4) English parts manuals
4 operator and 4 service manuals

BASE UNIT PRICE

A1 = no impact on delivery time; A2 = delivery time on request

OPTIONAL EQUIPMENT

- A2 * Caterpillar 3406 PCTA, 325 hp (242 kw) (altitude application)
- A2 * Caterpillar 3306 PCTA, 270 hp (201 kw)
- A2 * Deutz F12L-413FW diesel engine, 277 hp (207 kw)
- A2 * Deutz BF12L-413FWC, 325 hp (242 kw) for _____ ft/metres, _____ Temperature
- A2 * Deutz BF6M-1015ECP, 300 hp (224 kw)
- A1 * Automatic lubrication system (Lincoln Modular)
- A1 * Torque converter lockup with tach.
- A1 * 14 yd³ (10.7m³) SAE box 114 " (2896 mm) wide
- A1 * 17 yd³ (13.0m³) SAE box 114 " (2896 mm) wide

- A1 Split dump box rework
- A1 SAE ROPS canopy
- A1 Fire suppression system, Ansul 8 nozzle
- A1 Ansul fire suppression system, Ansul 8 nozzle (Checkfire II)
- A1 Hand held fire extinguisher 20 lb
- A1 Hand held fire extinguisher 10 lb
- A2 Enclosed operator's cab with A/C (solid mounts)
- A1 Abrasion resistant box liners (1/2" - BHN 400 plate)
- A1 Emergency steering system (SAE J-1511), electric
- A1 Spare rim & tire, standard (21:00 R25)
- A1 Spare rim
- A1 Additional spare parts manuals
- A1 Additional workshop manuals

(*) Replaces the standard equipment





Standard Unit

Main dimensions

Total length	9 550 mm (376")
Total width	2 921 mm (114")
Height with safety canopy	2 667 mm (105")
Height of dump box	2 286 mm (90")
Dump Height	5 283 mm (208")

Weights

Operating weight	24 091 kg (53 000 lb.)
Total loaded weight	51 364 kg (113 000 lb.)
Shipping weight	23 682 kg (52 100 lb.)

Axle weights without load

front axle	15 750 kg (34 650 lb.)
rear axle	8 341 kg (18 350 lb.)

Axle weights with load

front axle	23 114 kg (50 850 lb.)
rear axle	28 250 kg (62 150 lb.)

Capacities

Payload	27 273 kg (60 000 lb.)
Dump box volume (SAE)	10.7 - 15.3 m ³ (14 - 20.7 yd ³)

Dump box motion times

Discharging time	17 sec.
Dumping angle	65 °

Driving speeds forward and reverse (Loaded)

1st gear	5.5 km/h (3.4 m.p.h.)
2nd gear	10.0 km/h (6.2 m.p.h.)
3rd gear	17.7 km/h (11.0 m.p.h.)
4th gear	32.2 km/h (20 m.p.h.)

Frame

Rear and front frame	Welded steel box construction
Material	G40.21 - 50wt Cat.#3
Central hinge	full plate, clevis type with spherical bearings

Standard Engine

Diesel engine	Detroit Diesel Series 60
Output	224 kW (300 HP) @2100 RPM
Torque	1424 Nm (1050 ft.lb.) @1350 RPM
Number of cylinders	In line 6
Displacement	11.1 litres (667 in ³)
Cooling system	Liquid Cooled
Combustion principle	Direct injected, turbo charged, after cooled
Air filtration	Donaldson, dry type
Electric system	24 V
Exhaust system	Catalytic purifier with silencer

Torque Converter

Clark C8612	Single stage,
3.05 torque multiplication ratio,	
0.895:1 offset ratio	

Transmission

Clark 5421	4-speed forward and reverse
------------	-----------------------------

Standard axles

Front axle	Clark 19D4354, standard differential, oscillating 16° total.
Rear axle	Clark 19D4354, standard differential, fixed.

Standard tires

Tire size	21:00 R25
Type	Michelin XKA**
Air pressure, front	552 kPa (5.52 bar) (80 psi)
Air pressure, rear	552 kPa (5.52 bar) (80 psi)

Steering hydraulics

Full hydraulic power steering, centre articulated with double acting steering cylinder. Open centre system with a gear pump and pilot operated stick steer.

Turning radius:

Right	inner	4394 mm (173 ")
	outer	8433 mm (332 ")
Turning angle	42.0 °	

Main components in steering system:

Hydraulic pump	Gear pump
Control valve	Pilot operated
Steering cylinder	127 mm bore X 64 mm rod (5.0" X 2.5")

Pressure settings:

Main relief	17.2 MPa (172 bar) (2500 psi)
Port relief valves	18.6 MPa (186 bar) (2700 psi)

Dump box hydraulics

Full hydraulic open-centre system with two gear pumps. Oil flows to the dump box hydraulic system from the dump box pump and the steering pump when the steering system is not in use. Pilot operated lever dump box control.

Main components:

Dump cylinders (2)	Commercial 2-stage telescopic 184/152 mm bores (7.25/6.0")
Hydraulic pump	Gear pump
Control valve	Pilot operated

Pressure Settings:

Main relief	17.2 MPa (172 bar) (2500 psi)
Port relief (dump)	17.9 MPa (179 bar) (2600 psi)
Hydraulic oil tank capacity	Appro. 283 litre (75 gal)

Standard brakes

Service brakes are spring applied, hydraulically released, liquid cooled (LCB) multi-disc brakes on all wheels. Service brakes also function as an emergency brake, when the emergency brake hand valve is on.

Main components in the brake system:

Pressure accumulators	Piston type with charging valve
Brake pedal valve	Modulated

Electrical equipment

Alternator	24V 70A, min
Batteries	2 x 12 V, 950 CCA
Starter	24 V, Heavy Duty
Driving and working lights	4pcs front, 2pcs rear

Standard manuals (customer)

3 pcs Spare parts manuals	English
3 Operators manual	English
3 Service manual	English

Standard manuals (region)

1 pcs Spare parts manuals	English
1 Operators manual	English
1 Service manual	English





Speeds On Grade

