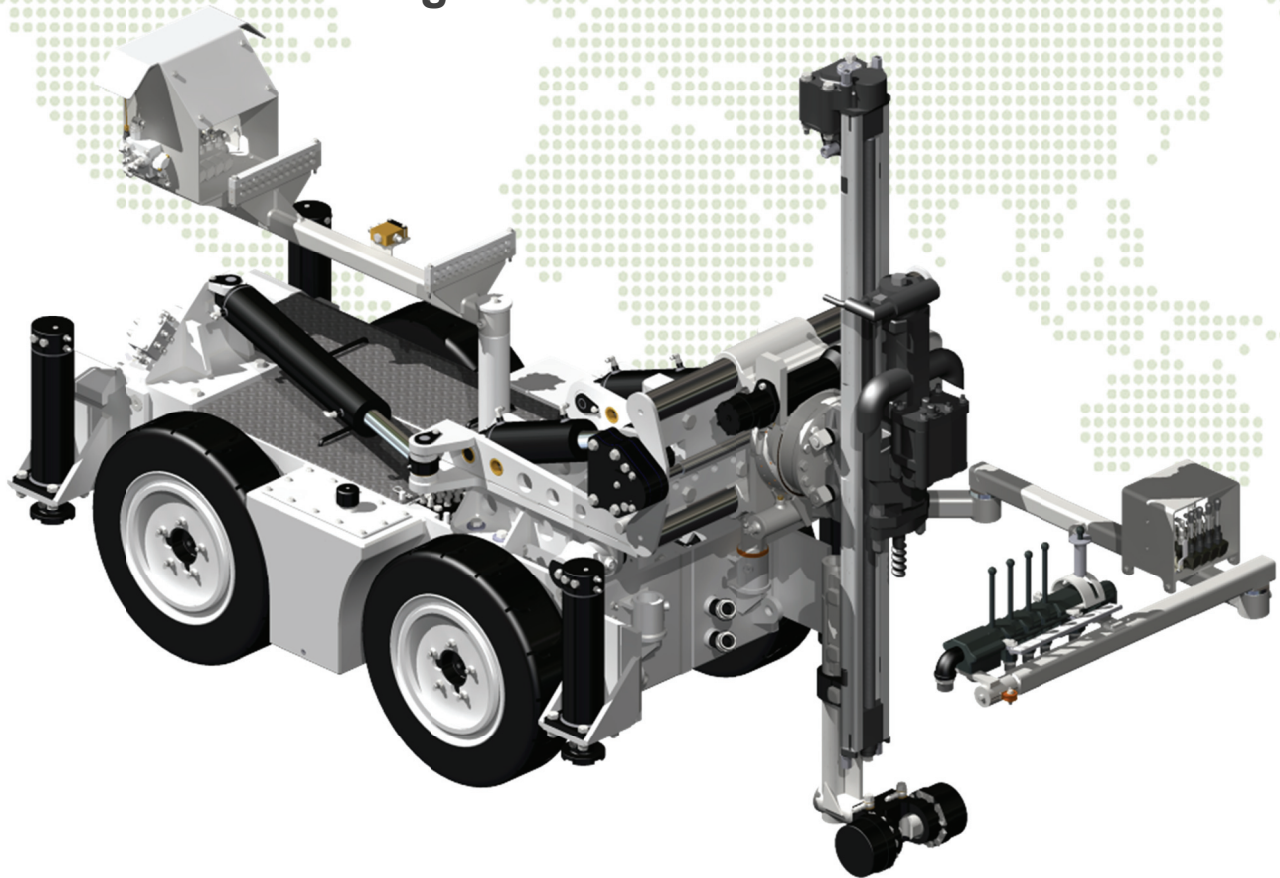


AN INTERNATIONAL OUTLOOK, A PERSONALIZED SERVICE

## CMAC PLH

### CMAC-Thyssen Production drilling rigs PLH – Pneumatic Long Hole

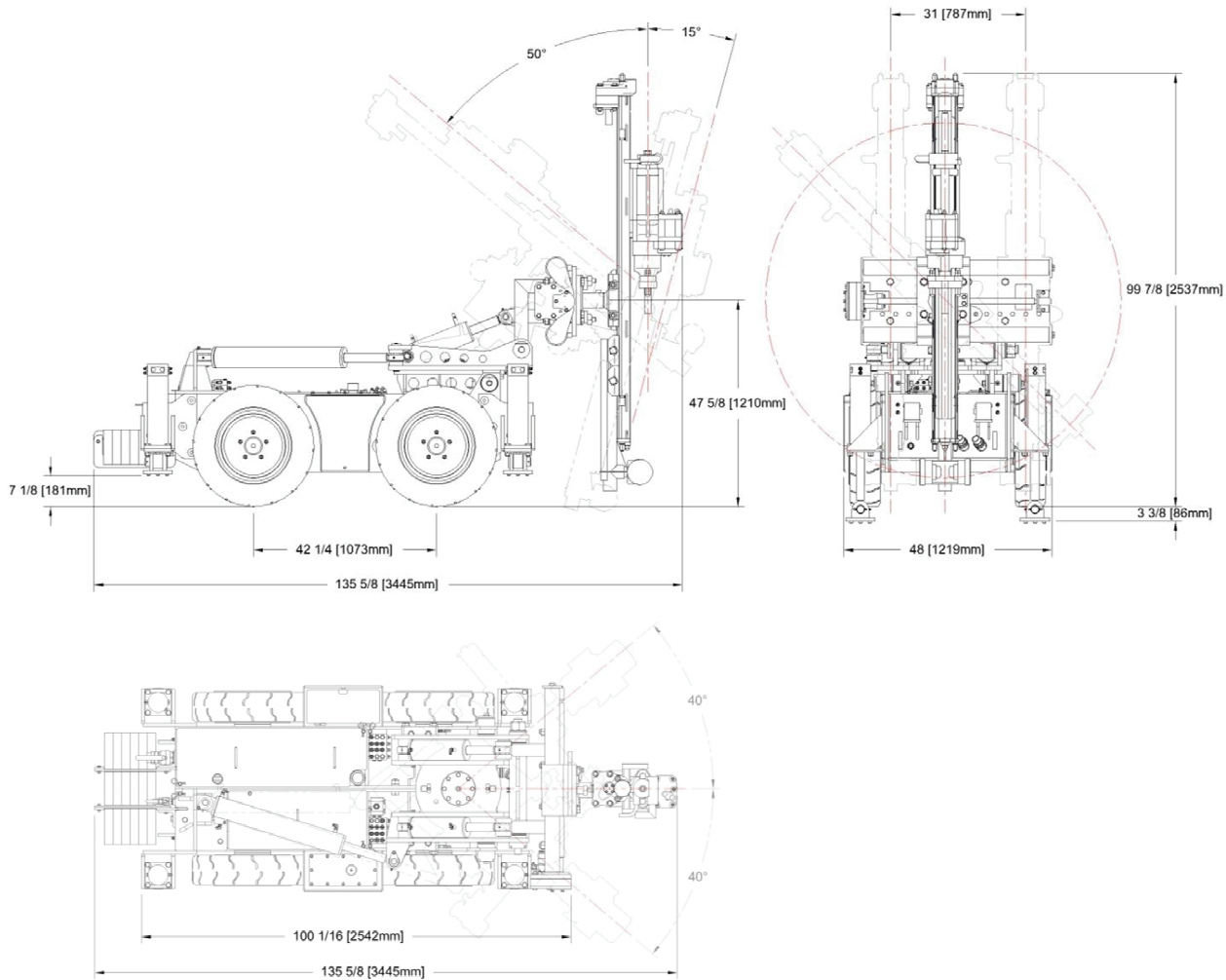


The CMAC PLH is a pneumatic/hydraulic drilling rig for production long-hole drilling and ground support applications for underground mining. The CMAC PLH is a popular pneumatic drill used for long-hole drilling in narrow-vein underground operations.

This PLH is designed with emphasis on ergonomics and security for the operator as well as simple but durable and efficient mechanical components. In addition to being safe and easy operate, the positioning table is fast, precise and covers a wide area without multiple setups.

The modular design of the PLH allows it to be dismantled into sections that can pass through a hole of 40" x 40" (1m x 1m) and be reassembled in no time. Largest part weighs only 1,100 kg. Optimum drilling: 64mm diameter / 30m deep.

CMAC-THYSSEN.COM



## STANDARDS FEATURES

### Drill feed

Model.....	MKV
Rod length.....	3 / 4 / 5 / 6 ft (0.9, 1.2, 1.5, 1.8m)
Drill steel.....	R32 - T38

### Controls

Remote pneumatic controls.....	rotation
.....	air / water flushing
.....	centraliser
.....	feed
.....	hammer
Front hydraulic controls.....	feed screw
.....	table angle
.....	table rotation
Rear hydraulic controls .....	stabilisers
.....	table angle
.....	positioning

### Tramming possibilities

Tramming speed, approximate .....	2 km/h
Maximum operating grade .....	up to 25%
Weight, approximate .....	8 200 lbs (3 720 kg)

### Rock drill

Model .....	Secan S36 IR
Standard male shank .....	R32 - T38
Weight .....	120 kg
Impact frequency .....	1630 / min at 500 kPa
Air consumption .....	14 m <sup>3</sup> /min at 500 kPa

### Carrier

Hydraulic tank .....	35L
Automotive hydrostatic transmission	
One pump .....	200 cm <sup>3</sup> /rev geometric displacement
Four wheel-motor .....	Planetary
Tires .....	700-15-5.5"
Service brake .....	hydrostatic transmission
Parking brake .....	spring applied, hydraulic released
Stabilizers	
Front .....	2 hydraulic jacks
Rear .....	2 hydraulic jacks

### Options

Remote drilling and remote traction available.